

**Shinko**

# Duct Inserted Sensors

# DSD

Temperature

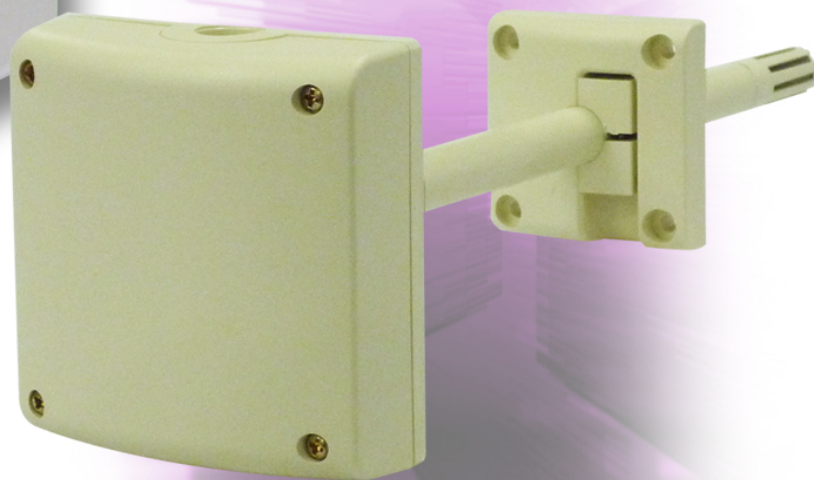
Humidity

Temperature  
and Humidity

CO<sub>2</sub> Concentration



DSD-101-CO<sub>2</sub>-□□



DSD-200-□□

■ **Sensor Type**

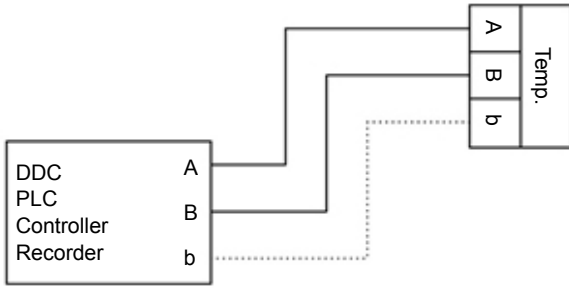
Measurement Target	Measurement Range	Output	Model
Temperature	-25 to 70°C	Pt100 Class A 3-wire type	DSD-200-TR
Humidity	5 to 95 %RH	4 to 20 mA DC	DSD-200-HA
Temperature, Humidity	-25 to 70°C 5 to 95 %RH	Temperature: Pt100 Class A 3-wire type Humidity: 4 to 20 mA DC	DSD-200-TRHA
CO <sub>2</sub> Concentration	0 to 2000 ppm	4 to 20 mA DC	DSD-101-CO2-1A
		1 to 5 V DC	DSD-101-CO2-1V
	0 to 5000 ppm	4 to 20 mA DC	DSD-101-CO2-2A
		1 to 5 V DC	DSD-101-CO2-2V

■ **Specifications**

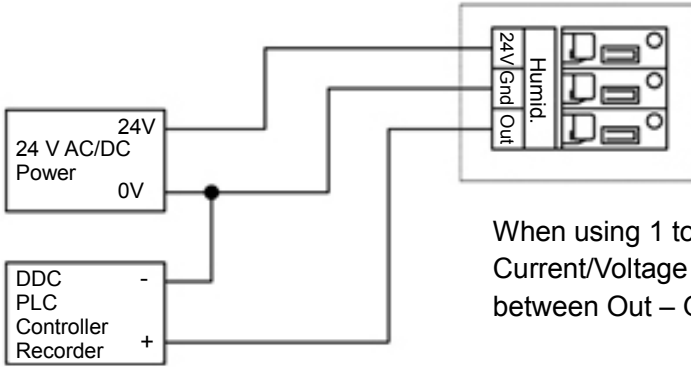
	DSD-200-TR	DSD-200-HA	DSD-200-TRHA	DSD-101-CO2- <input type="checkbox"/>
<b>Output</b>	Pt100 Class A 3-wire type	4 to 20 mA DC: (Linear conversion corresponding to 0 to 100 %RH) Max allowable load: 1 kΩ max.	Temp: Pt100 Class A 3-wire type Humi: 4 to 20 mA DC (Linear conversion corresponding to 0 to 100%RH) Max allowable load: 1 kΩ max.	4 to 20 mA DC: Max allowable load: 500 Ω max. 1 to 5 V DC: Max allowable load: 100 kΩ min. (Must be specified.)
<b>Power Supply</b>	Not required	24 V AC/DC ± 20%	50/60 Hz	24 V DC ± 10%
<b>Accuracy</b>	± 1.0°C (-25 to 75°C) However, ± 0.3°C (-10 to 50°C)	Within ± 5 %RH (at 23°C)	Temp: ± 1.0°C (-25 to 75°C) However, ± 0.3°C (-10 to 50°C) Humi: Within ± 5 %RH (at 23°C)	± 30 ppm (± 5% of indicated value)
<b>Response Characteristics</b>	Approx. 30 seconds (at 2 m/s wind velocity)	Approx. 20 seconds (at 2 m/s wind velocity)	Temp: Approx. 30 sec (at 2 m/s wind velocity) Humi: Approx. 20 sec (at 2 m/s wind velocity)	Within 1 minute (at 1.5 m/s wind velocity)
<b>Dimensions</b>	W86 x H86 x D293 mm			W100 x H133 x D260 mm
<b>Mounting</b>	Duct inserted, and fixed with the resin bracket.			Adjustable flange DSD-F-SQ80 recommended (sold separately)
<b>Power Consumption</b>		Approx. 1 VA (for 24 V AC) Approx. 1 W (for 24 V DC)		18 W
<b>Operating Environment</b>	Temp: -25 to 70°C Humi: Less than 95 %RH (non-condensing) (Operating environment temperature: Up to 50°C: Less than 95 %RH, 50 to 70°C: Less than 70 %RH)			Temp: 0 to 50°C Humi: 5 to 95 %RH (non-condensing)
<b>Storage Environment</b>	Temp: -25 to 70°C Humi: Less than 95 %RH (non-condensing) (Operating environment temperature: Up to 50°C: Less than 95 %RH, 50 to 70°C: Less than 70 %RH)			Temp: -20 to 60°C Humi: 5 to 95 %RH (non-condensing)
<b>Weight</b>	Approx. 170 g (Including resin bracket))		Approx. 190 g (Including resin bracket)	Approx. 400 g
<b>Accessories</b>	Mounting screw: 4 pieces, Resin bracket: 1 piece, Packing: 1 piece, Cable gland (OA-W1608E): 1 piece, Instruction manual: 1 copy	Mounting screw: 4 pieces, Resin bracket: 1 piece, Packing: 1 piece, Current/Voltage conversion resistor (RES-S06-250): 1 piece, Cable gland (OA-W1608E): 1 piece, Instruction manual: 1 copy		Instruction manual: 1 copy

Abbreviations: Temp: Temperature, Humi: Humidity

■ Terminal Arrangement  
DSD-200-TR

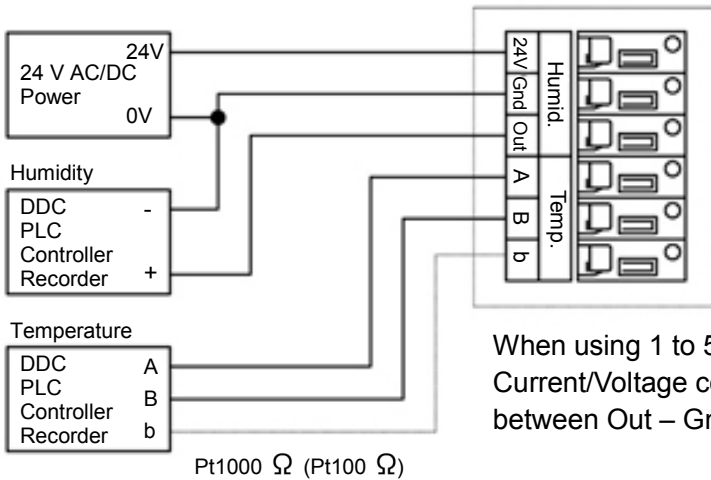


DSD-200-HA



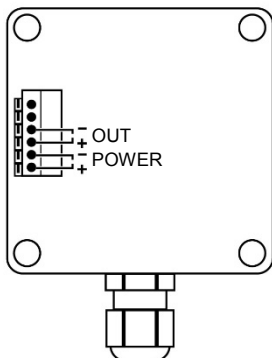
When using 1 to 5 V DC output, connect the provided Current/Voltage conversion resistor (RES-S06-250) between Out – Gnd.

DSD-200-TRHA



When using 1 to 5 V DC output, connect the provided Current/Voltage conversion resistor (RES-S06-250) between Out – Gnd.

DSD-101-CO2-□□



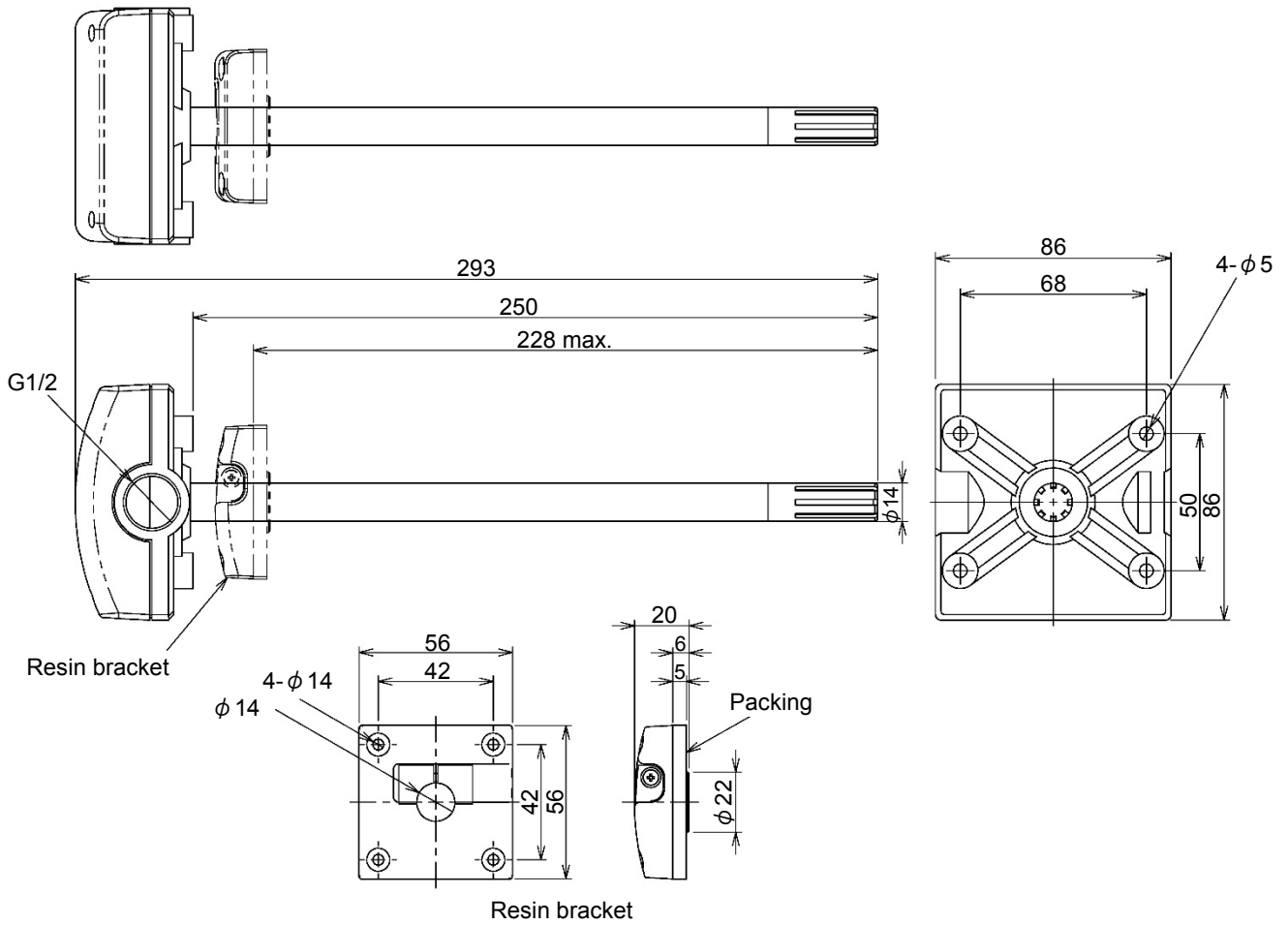
OUT: 1 to 5 V DC or 4 to 20 mA DC output (Must be specified.)

POWER: Power supply voltage 24 V DC

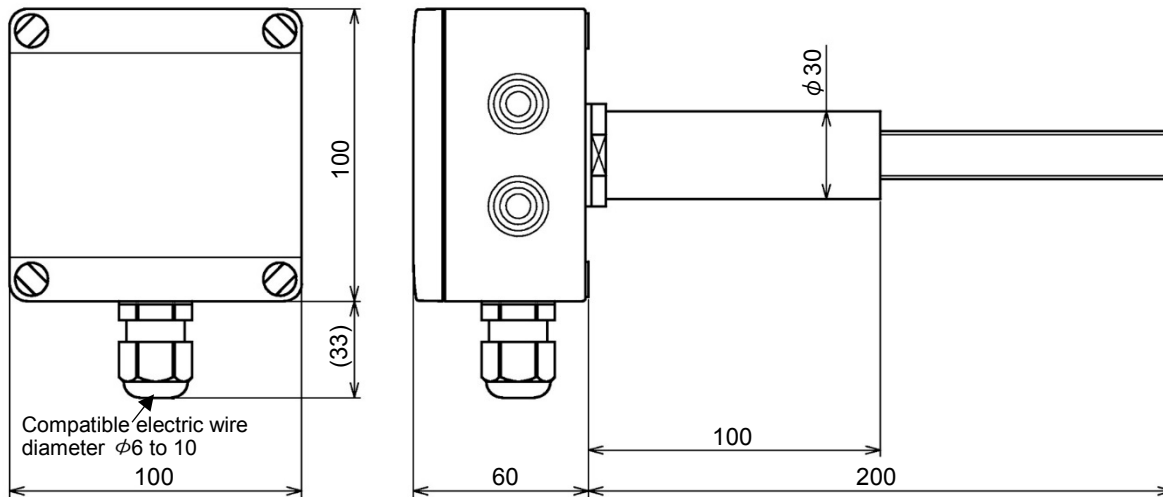
**[Note] Do not reverse polarity.**

■ External Dimensions (Scale: mm)

DSD-200-□□



DSD-101-CO2-□□



**SHINKO TECHNOS CO., LTD.**  
**OVERSEAS DIVISION**

Head Office: 2-5-1, Senbahigashi, Minoo, Osaka, 562-0035, Japan

Tel: +81-72-727-6100

Fax: +81-72-727-7006

URL: <http://www.shinko-technos.co.jp/e/>

E-mail: [overseas@shinko-technos.co.jp](mailto:overseas@shinko-technos.co.jp)