

LMD-100

From Paper to Digital: Enhancing Efficiency Log Data with Ease

Records on a CF card.

CF card

start time 9:00:00 logging cycle 0:05:00
end time 11:30:00

TIME	CH1_PV	CH1_SV	CH2_PV	CH2_SV
9:05:00	24	100	24	100
9:10:00	34	100	34	100
9:15:00	44	100	44	100
9:20:00	54	100	54	100
9:25:00	64	100	64	100
9:30:00	74	100	74	100
9:35:00	84	100	84	100

※ CF card data can be edited on the PC, for chart plotting and graphing.

Easy, central monitoring
Various functions such as "Monitoring controller status", "Set value memory" and "Setting all values simultaneously" provided.

Multiple units status logging
By connecting up to 16 units of controllers, digital data logging up to 16 points of status can be carried out.

Wide range of applications with digital logging data
Easy graphing as data can be edited on EXCEL, etc.

Console / Data Logger

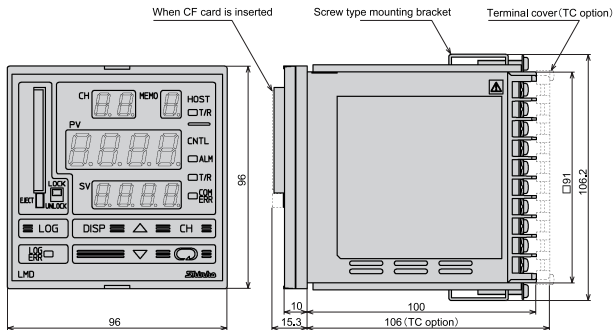
Model

LMD-100, □, □, □, □	LMD-100 (W96×H96×D100mm)	
Option	C5	Serial communication : RS-485 (Between HOST and LMD-100)
	IP	Waterproof cover (Dust-proof/Drip-proof, IP66)
	BK	Front panel frame, Case: Black
	TC	Terminal cover

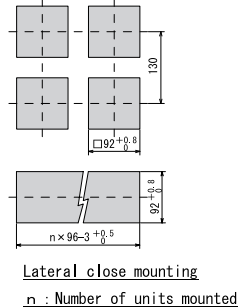
Specifications

Display	PV : Red 4 digits, character size : 14.3×8.0mm (H×W), SV : Green 4 digits, character size : 10.0×5.6mm (H×W) CH : Yellow 2 digits, character size : 10.0×5.6mm (H×W), MEMO : Yellow 1 digit, character size : 10.0×5.6mm (H×W)
Clock function	Time indication : 24-hour clock (00:00 to 24:00) Error : Within ±60 seconds/Month (at 25°C ambient temperature) Clock power failure guarantee : Backs up with lithium battery. (The battery life lasts more than 10 years at 20°C ambient temperature)
Time setting accuracy	Within ±0.5%±1 sec
External memory storage	Media : CF card (Type I), Maximum capacity : 256MB Format : FAT16 Writing method : Writing in a new file (Opens a new file every time logging starts, and saves data in it.) Others : When logging data reaches 65,000 lines, the file is closed and saves the data in a new file. Maximum number of files: 170 In the case of 1 controller unit being connected, and when logging one item with a logging cycle of 5 seconds, 0.8MB of the CF card can be used every 24 hours.
Logging function	A maximum of 16 units of controllers can be connected using Serial communication. Connectable controllers : DCL-33A, JcX-33A, NCL-13A, ACS-13A (Default : DCL-33A) Logging cycle : Select a cycle from a choice of ; 1sec, 2sec, 5sec, 10sec, 15sec, 20sec, 30sec, 1min, 2min, 5min, 10min, 20min, 30min, 60min (Default : 10 seconds) Logging item : PV, SV, OUT1 MV, OUT2 MV and Controller status flag. (Logging Effective/Not effective can be selected for these items.)
Serial communication (Between LMD-100 and controller)	Communication line : RS-485 Communication method : Half-duplex communication start-stop synchronous Communication speed : 19200bps Data format : Stop bit : 1, Data bit : 7, Parity : Even, Stop bit : 1 Sending data : SV, A1 value, OUT1 proportional band, OUT2 proportional band, Integral time, Derivative time, ARW, OUT1 proportional cycle, OUT2 proportional cycle, Manual reset, Set value lock, AT Receiving data : Receives the following data including the Sending data. PV, OUT1 MV, OUT2 MV, Controller status flag
Error output	Action : ON/OFFaction, Output : Relay contact 1a
Power supply	100 to 240V AC 50/60Hz, Allowable voltage fluctuation range : 85 to 264V AC
Power consumption	Approx. 6VA
Environment	Ambient temperature : 0 to 50°C (32 to 122°F), Ambient humidity : 35 to 85%RH (Non-condensing)
Case	Material : Flame-resistant resin, Color : Light gray
Mounting	Screw type mounting brackets (Mountable panel thickness : 1 to 15mm)
External dimensions	W96×H96×D100mm (When IP option is used : W115.6×H131.7×D100mm)
Weight	Approx. 400g
Attached functions	Auto-start, Set value memory, Broadcast setting, CF card LOCK switch, Power failure countermeasure, Self-diagnosis, Warm-up indication, Error indication while accessing the CF card, Time error indication, Error indication during data logging, CF card remaining memory indication, Momentary power failure indication, Error indication when set values are changed
Accessories	Mounting brackets 1set, Instruction manual 1copy, CF card (64MB) 1

External dimensions (unit : mm)



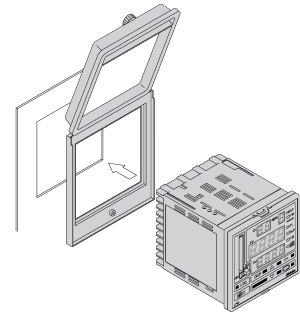
Panel cutout (unit : mm)



⚠ Caution : If waterproof cover (IP option) is used, lateral close mounting is not allowed

Mounting of waterproof cover (IP option)

For the IP option, fitting the waterproof cover to the control panel cutout, mount it between the panel and the face of the LMD-100.



SAFETY PRECAUTIONS

- To ensure safe and correct use, thoroughly read and understand the manual before using this instrument.
- This instrument is intended to be used for industrial machinery, machine tools and measuring equipment. Verify correct usage after consulting purpose of use with our agency or main office. (Never use this instrument for medical purposes with which human lives are involved.)
- External protection devices such as protection equipment against excessive temperature rise, etc. must be installed, as malfunction of this product could result in serious damage to the system or injury to personnel. Also proper periodic maintenance is required.
- This instrument must be used under the conditions and environment described in the manual. Shinko Technos Co., Ltd. does not accept liability for any injury, loss of life or damage occurring due to the instrument being used under conditions not otherwise stated in the manual.

Caution with respect to Export Trade Control Ordinance

To avoid this instrument from being used as a component in, or as being utilized in the manufacture of weapons of mass destruction (i.e. military applications, military equipment, etc.), please investigate the end users and the final use of this instrument. In the case of resale, ensure that this instrument is not illegally exported.



· This catalog is as of July 2006, and specifications are subject to change without notice.
· If you have any inquiries, please consult us or our agency.

SHINKO TECHNOS CO., LTD. OVERSEAS DIVISION

Reg. Office : 2-5-1, Senbahigashi, Minoo, Osaka, 562-0035, Japan
Tel : 81 - 72 - 727 - 6100
Fax : 81 - 72 - 727 - 7006
URL : <http://www.shinko-technos.co.jp>
E-mail : overseas@shinko-technos.co.jp