

Digital Deviation Indicating Controller

Model : **RC-600**

■ **Model**

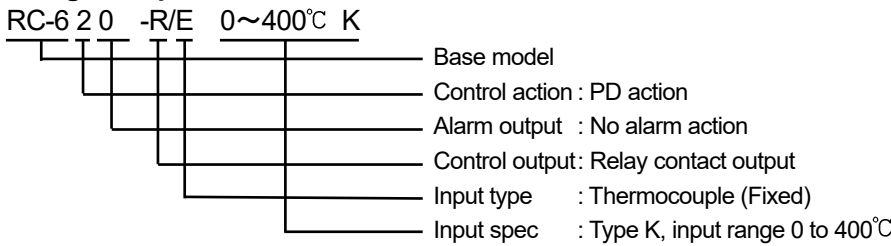
Model	RC-6	<input type="checkbox"/>	<input type="checkbox"/>	-	<input type="checkbox"/>	/	E	<input type="checkbox"/>
Control action	ON/OFF control action	1						
	PD control action	2						
Alarm function	No alarm action		0					
	High limit alarm		1					
	High limit alarm with standby		1					H
	Low limit alarm		2					
	High limit alarm with standby		2					H
	High/Low limits alarm		4					
	High/Low limits alarm with standby		4					H
	High/Low limit range alarm		6					
	Process high alarm		8					
	Process low alarm		9					
Output	Relay contact						R	
	Non-contact voltage						S	
	DC current						A	
Input	Thermocouple (K, J) (must be specified)						E	

■ **Input specifications**

Rated scale:	Input Type	Input Range		Resolution
	K	0 to 400°C	0 to 999°F	1°C(°F)
	J	0 to 400°C	0 to 999°F	1°C(°F)

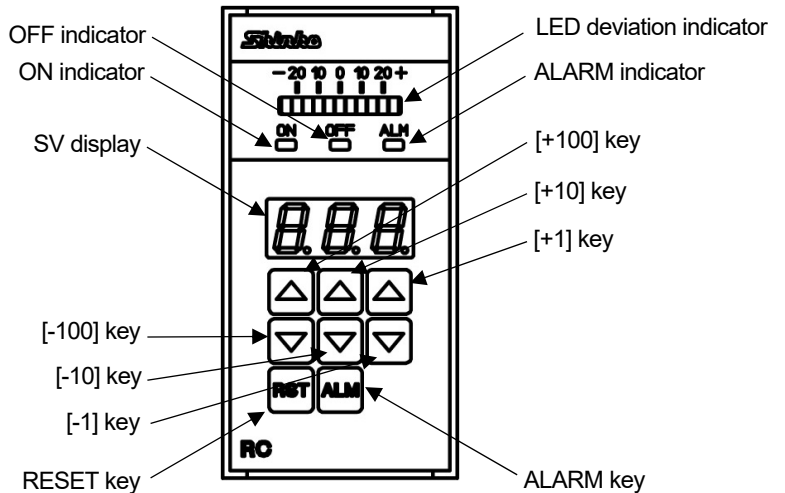
Input type : Thermocouple K, J (must be specified) External resistance: 100Ω or less

■ **Ordering example**



■ **General structure**

- Dimensions : 48×96×115mm (W×H×D)
- Weight : Approx. 280g
- Mounting : Flush
- Case : ABS resin
- Color : Dark gray
- Panel : Membrane sheet
- Supply voltage : 100 to 240V AC 50/60Hz
(Allowable voltage fluctuation range: 85 to 264V AC)
- Power consumption: Approx. 6VA



■ Indication performance

Indication accuracy: Within 1 bar [Resolution 5°C (°F)]
 Input sampling period: 0.25 sec

■ Control performance

Setting accuracy: Within ±0.3% of each input span ±1digit, or ±2°C (4°F), whichever is greater

Control action : The following control action can be selected by the DIP switch.

PD control action (with Auto-reset function)

Proportional band (P): 10°C (20°F)

Derivative time (D): 50 sec

Proportional cycle: 3 sec (Non-contact voltage), 30sec (Relay contact)
 (Not available for DC current output type)

ON/OFF control action

Hysteresis: 1°C (2°F)

Main output : Relay contact: 1c

Control capacity: 5A 250V AC (Resistive load)

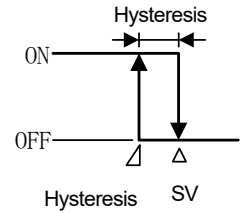
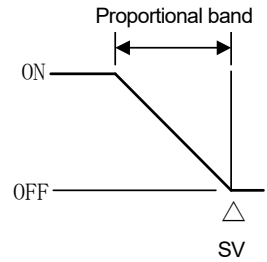
2A 250V AC (Inductive load $\cos\phi=0.4$)

Electric life: 100,000 cycles

Non-contact voltage (for SSR drive): 12⁺²₀V DC

Max. 40mA DC (short circuit protected)

DC current: 4 to 20mA DC (Resolution: 12,000) Load resistive: Max. 600Ω



■ Alarm function

The alarm action point is set from the ± deviation from the SV (except Process high/low alarm), and when the input goes outside the alarm setting range, the alarm output will be turned ON.

Alarm type : The following alarm types can be selected by the rotary switch.

No alarm, High limit alarm, High limit alarm with standby, Low limit alarm, Low limit alarm with standby, High/Low limits alarm, High/Low limits alarm with standby, High/Low limit range alarm, Process high alarm, and Process low alarm

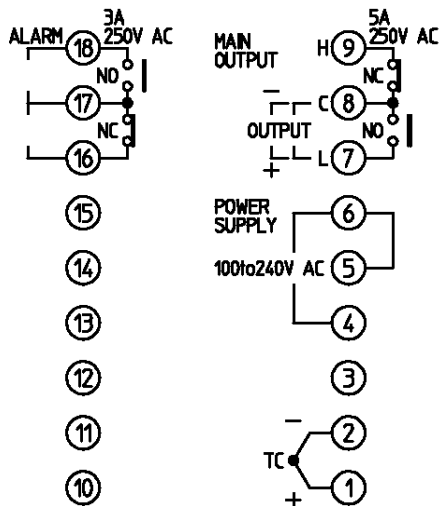
Control action : ON/OFF action Alarm hysteresis: 1°C (2°F)

Output : Relay contact: 1c

Control capacity: 3A 250V AC (Resistive load) 1A 250V AC (Inductive load $\cos\phi=0.4$)

Electric life: 100,000 cycles

■ Terminal arrangement

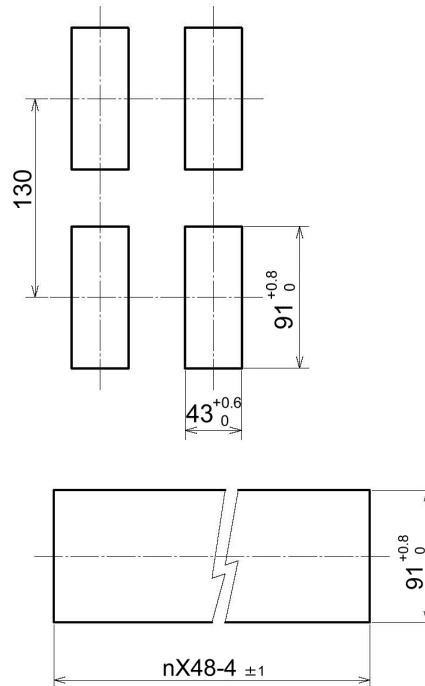


TC : Thermocouple input

MAIN OUTPUT: Control output

ALARM : Alarm output

■ Panel cutout (Scale: mm)



Lateral close mounting

(n: Number of units mounted)