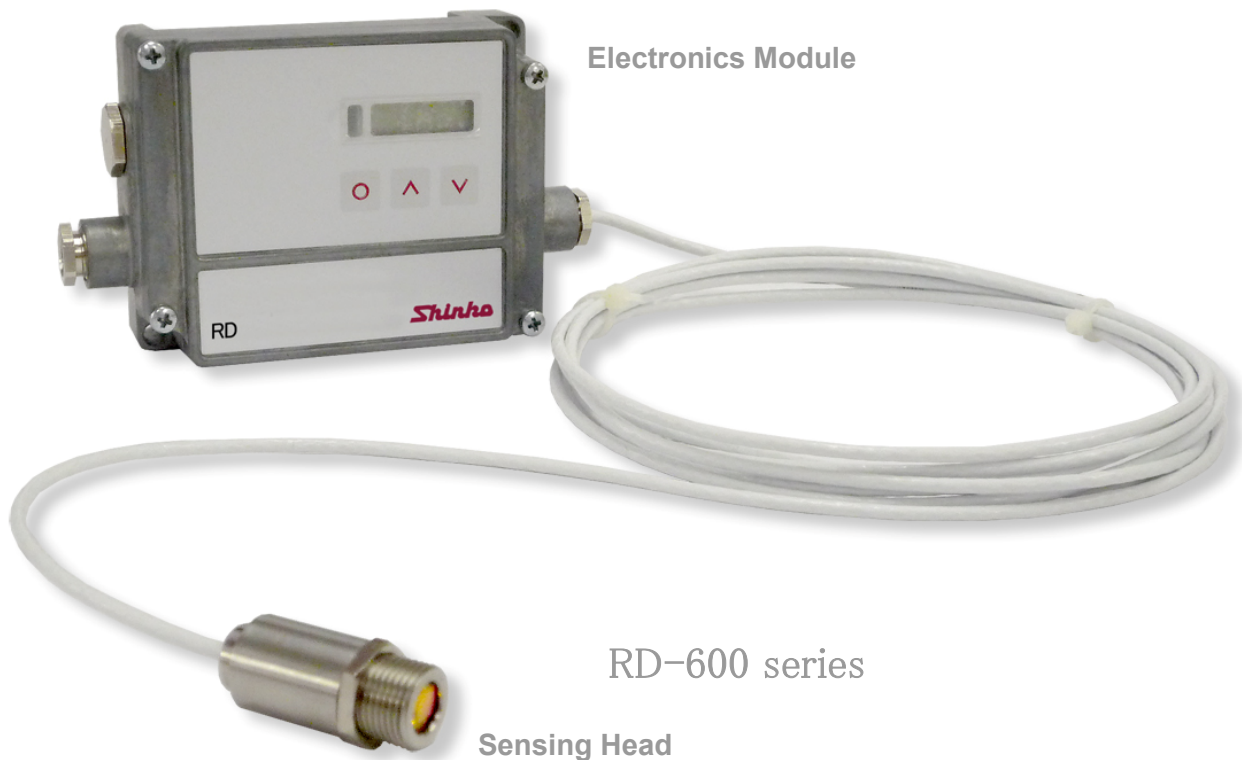


Temperature measurement of lustrous metal surfaces, including through glass

Infrared Temperature Sensor

RD-600 SERIES

- Non-contact temperature measurement
- For measuring lustrous metal surfaces
- Can also measure through glass
- Temperature range: 50 to 400 °C, 150 to 1000 °C
- [Emissivity] & [Scaling] can be set on the electronics module
- CE mark certified

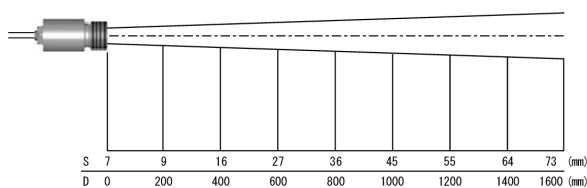


■ Target Spot Size versus Distance from Sensing Head

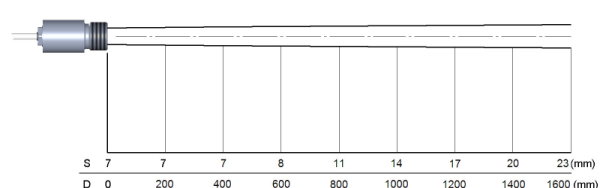
S: Target spot size

D: Distance from Sensing Head to the object

Field of view D:S = 22:1 (RD-622-LM)



Field of view D:S = 75:1 (RD-675-HM)



Shinko

Model

Model	Field of View	Temperature Range	Output
RD-622-LM	22:1	50 to 400 °C (*)	Voltage: 0 to 5 V, 0 to 10 V DC Current: 0 to 20 mA, 4 to 20 mA DC Thermocouple: K, J
RD-675-HM	75:1	150 to 1000 °C (*)	

(Target temperature > Sensing Head temp. +25 °C)

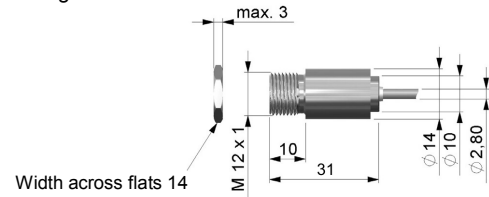
Standard Specifications

Accuracy (*1)	$\pm(0.3\% \text{ of reading} + 2\text{ }^\circ\text{C})$ (*2), however, thermocouple output accuracy: $\pm 2.5\text{ }^\circ\text{C}$ or $\pm 1\%$ of reading, whichever is greater
Repeatability	$\pm(0.1\% \text{ of reading} + 1\text{ }^\circ\text{C})$ (*2)
Emissivity	0.100 to 1.100
Transmissivity	0.100 to 1.100
Response Time	1 ms (90 % response) (*3)
Spectral Range	2.3 μm
Supply Voltage	8 to 36 V DC (Max. 100 mA)
Ambient Temperature	Sensing Head: -20 to 85 °C Electronics Module: 0 to 65 °C
Ambient Humidity	10 to 95 %RH (non-condensing)
External Dimensions	Sensing Head: 31 x $\phi 14$ mm, M12 x 1 Electronics Module: 89 x 70 x 30 mm (W x H x D)
Weight	Sensing Head: 40 g Electronics Module: 420 g
Material	Sensing Head: Stainless steel Electronics Module: Die-cast zinc
Mounting	Sensing head: Mounting bracket (sold separately) Electronics module: Mounting by screws
Drip-proof/Dust-proof	IP65
Cable Length	3 m

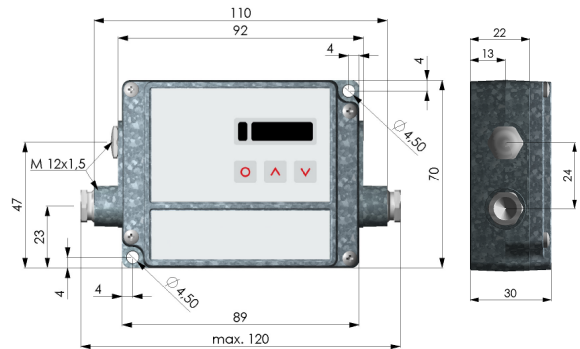
(*1) At ambient temperature $23 \pm 5\text{ }^\circ\text{C}$ (*2) $\epsilon = 1$ /Response time 1 sec (*3) Dynamic adaptation at low signal levels

External Dimensions (Scale: mm)

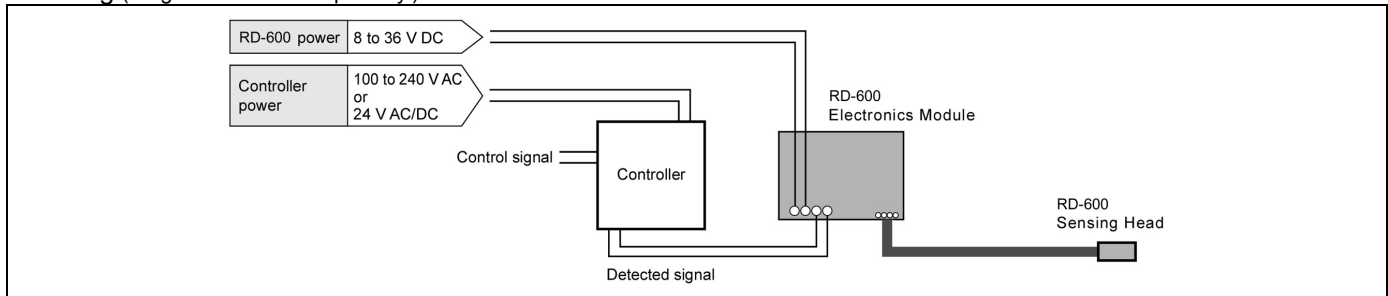
Sensing Head



Electronics Module



Wiring (Diagram shows example only.)



Accessories Sold Separately

Mounting bracket (TFB) 	Air purge collar (ATAL) 	Power supply for the RD series (RDP24)
Sighting tube - 40mm (AST40APA) (for RD-622-LM) 	Sighting tube - 88mm (AST88APA) (for RD-675-HM) 	Sighting tube adapter (included *)

*: Sighting tube adapter is included with the Sighting tube.

SHINKO TECHNOS CO., LTD. OVERSEAS DIVISION

Reg. Office: 2-5-1, Senbahigashi, Minoo, Osaka, Japan

URL : <http://www.shinko-technos.co.jp>

E-mail : overseas@shinko-technos.co.jp

Tel : 81-72-727-6100

Fax: 81-72-727-7006