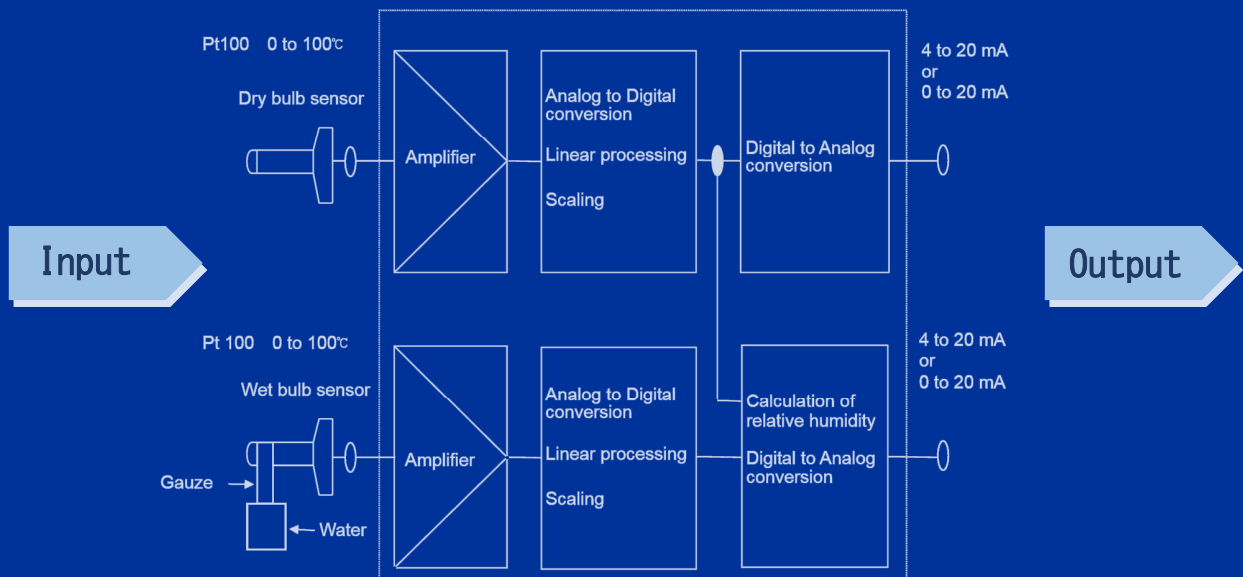
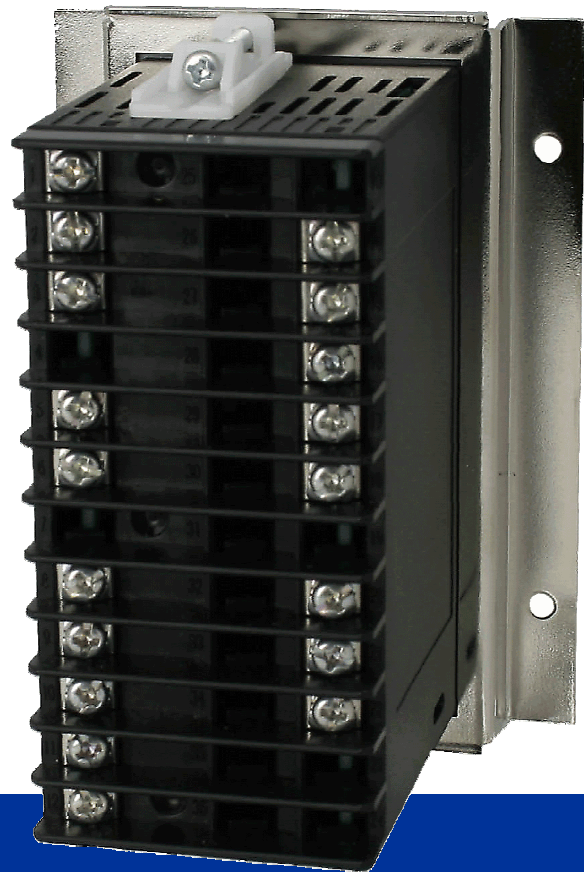


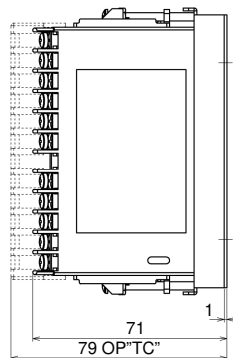
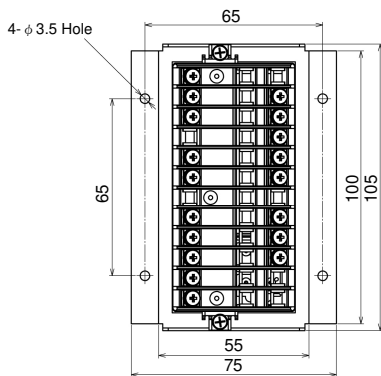
Temperature/Humidity Transmitter Using Dry and Wet Bulb Sensors



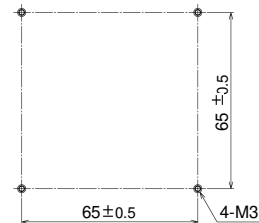
Standard Specifications

Model name	THT-500-A/R
Input	Wet bulb input: RTD, Pt100 3-wire, 0 to 100°C (Allowable input lead wire resistance: 10 Ω or less per wire) Dry bulb input: RTD, Pt100 3-wire, 0 to 100°C (Allowable input lead wire resistance: 10 Ω or less per wire) : RTD, Pt100 3-wire, 0 to 200°C (Allowable input lead wire resistance: 10 Ω or less per wire) [Dry-bulb input temperature: 0 to 100°C (standard), Switchable to 0 to 200°C using the internal jumper.]
Output	Temperature output: Outputs the following corresponding to the dry bulb input temperature of 0 to 100°C or 0 to 200°C. 0 to 20 mA DC or 4 to 20 mA DC, Load resistance: Max. 550 Ω Humidity output: Outputs the following corresponding to the relative humidity 0 to 100 %RH using dry bulb input temperature 0 to 100°C and wet bulb input temperature 0 to 100°C. 0 to 20 mA DC or 4 to 20 mA DC, Load resistance: Max. 550 Ω
Conversion accuracy	Temperature output: Within converted temperature ±1.0°C Humidity output: Within ±3% of full scale
Input sampling period	250 ms
Output resolution	12000
Power supply voltage	100 to 240 V AC 50/60 Hz, or 24 V AC/DC 50/60 Hz
Power consumption	Approx. 5 VA
Operating environment	Ambient temperature: 0 to 50°C Ambient humidity: 35 to 85 %RH (non-condensing)
Case (Material, Color)	Material: Flame-resistant resin Color: Black
External dimensions	75 x 105 x 71 mm (W x H x D)
Mounting method	Mounting by the frame using screws inside the control panel (3 mm screw for 4 positions) Mounting angle: Steel sheet (Nickel plated)
Weight	Approx. 200 g
Option [TC]	Electrical shock protection terminal cover
Option [C5]	Serial communication

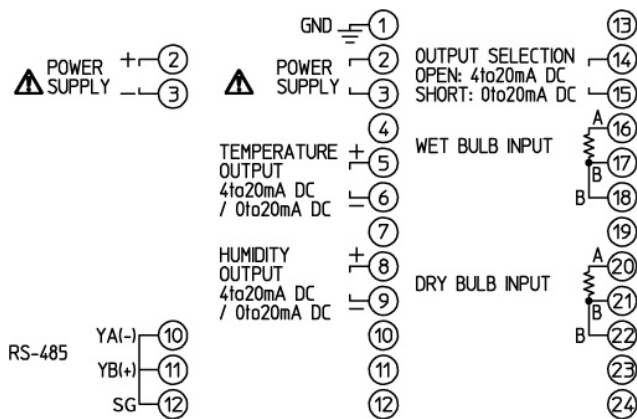
External Dimensions (Scale: mm)



Mounting Hole Dimensions (Scale: mm)



Terminal Arrangement



GND	Ground terminal
POWER SUPPLY	100 to 240 V AC or 24 V AC/DC
TEMPERATURE OUTPUT	4 to 20 mA DC or 0 to 20 mA DC
HUMIDITY OUTPUT	4 to 20 mA DC or 0 to 20 mA DC
RS-485	Serial communication RS-485 (C5 option)
OUTPUT SELECTION (*)	4 to 20 mA DC or 0 to 20 mA DC
WET BULB INPUT (RTD)	
DRY BULB INPUT (RTD)	

(*) When terminals 14 and 15 are closed : 0 to 20 mA DC is output for temperature and humidity outputs.
When terminals 14 and 15 are open : 4 to 20 mA DC is output for temperature and humidity outputs.

- This catalog is as of March 2021 and its contents are subject to change without notice.
- If you have any inquiries, please consult us or our agency.

SHINKO TECHNOS CO., LTD. OVERSEAS DIVISION

Head Office: 2-5-1, Senbahigashi, Minoo, Osaka, 562-0035, Japan

Tel: +81-72-727-6100

Fax: +81-72-727-7006

URL: <https://shinko-technos.co.jp/e/>

E-mail: overseas@shinko-technos.co.jp