

INSTRUCTION MANUAL FOR GCS-300 COMMUNICATION

[OPTION CODE: C5]

No.GCSC3E2 2008.05

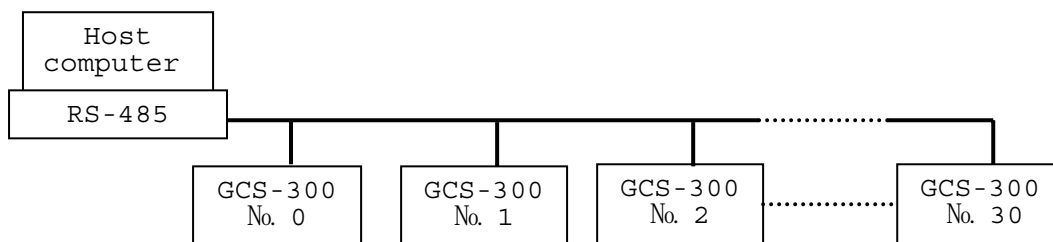
To prevent the accidents by mishandling of this controller, please arrange to give this manual into the hands of the operator who actually uses our products.

⚠ Warning

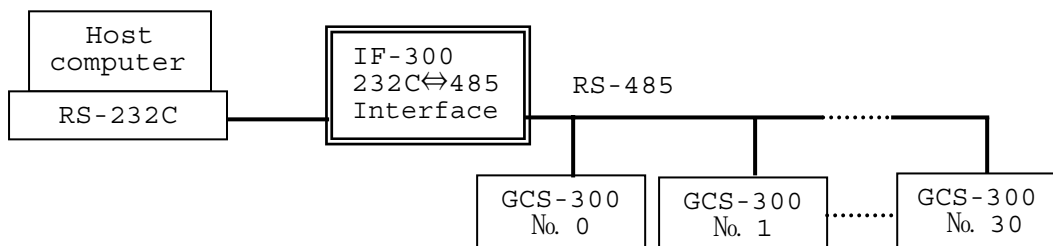
Turn the power supplied to the instrument OFF before wiring or checking.
If working or touching the terminal on the power ON status, there is a possibility of Electric Shock which can cause severe injury or death.

1. System configuration

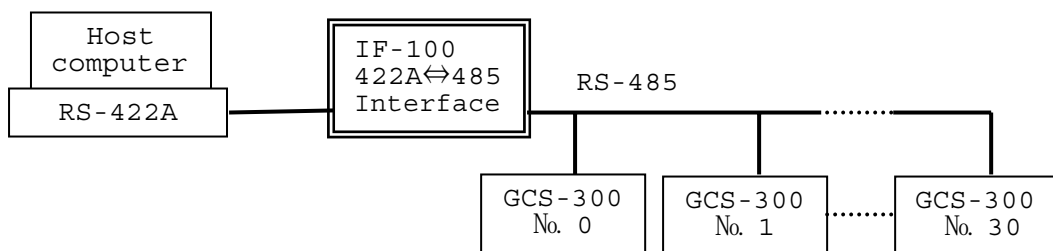
1.1 RS-485 Multi-point connection [Option code: C5]



[Fig. 1.1-1]

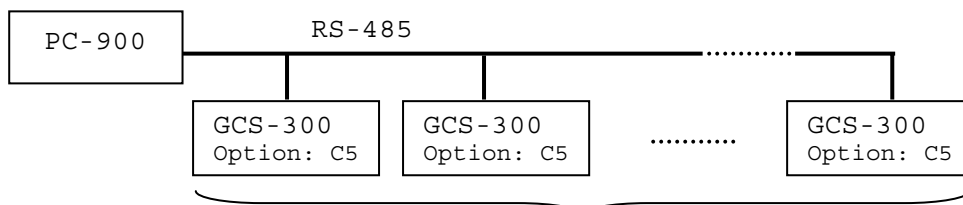


[Fig. 1.1-2]



[Fig. 1.1-3]

1.2 When executing setting value digital transmission by option C5.



Maximum 31 units of GCS-300

[Fig. 1.2-1]

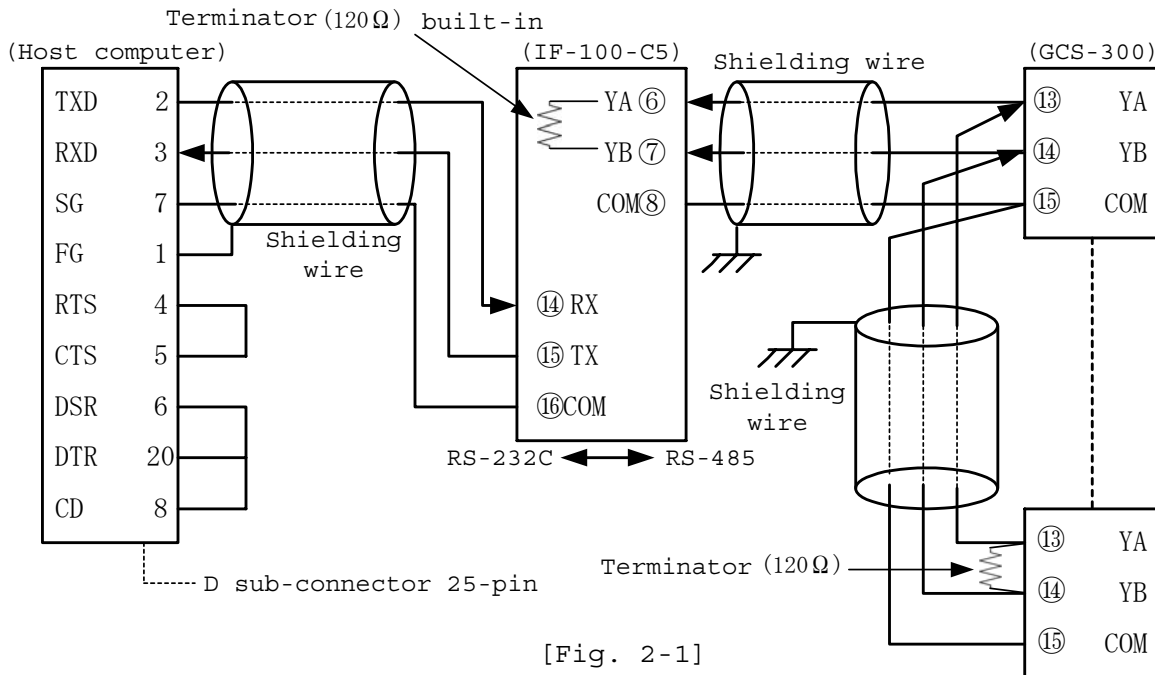
- The main setting value of PC-900 [option code: SVTC] can be transmitted in digital to the GCS-300 [option code: C5].
- Fit the transfer rate of PC-900 and GCS-300 when transmitting the main setting value in digital, and designate Lock 3 in Setting value lock designation of the GCS-300.
- Maximum 31 units of GCS-300 are connectable to one PC-900.

- **Notices when using the setting value digital transmission [Option code: SVTC]**
 - Memory life of the GCS-300 is approximately 1 000 000 (one million) times in writing. Therefore when frequently writing the command, designate Lock 3 in Setting value lock of the GCS-300, since it has no relation to memory life. If the Lock 3 is not designated, it writes the memory every time the setting command is sent, and the memory life becomes shorter.
 - Fit the transfer rate of GCS-300 and PC-900.
 - It is not necessary to set instrument number to the GCS-300.

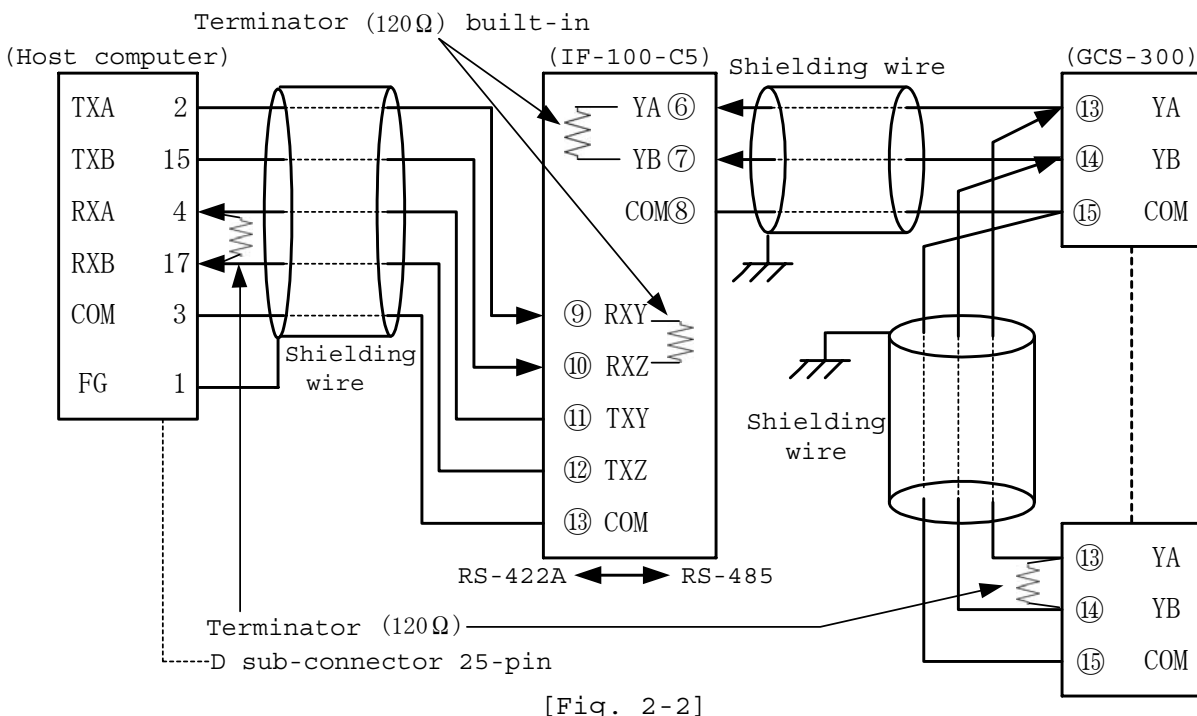
2. Connection

RS-485 [option code: C5]

- When the converter is IF-100-C5, and between the converter and host computer is connected by RS-232C.
 Connection: RS-232C ↔ RS-485 (Data transfer rate: 1200, 2400, 4800 or 9600bps)
 When communicating by the transfer rate **19200bps**, use **IF-300-C5** instead of IF-100-C5 for the converter.

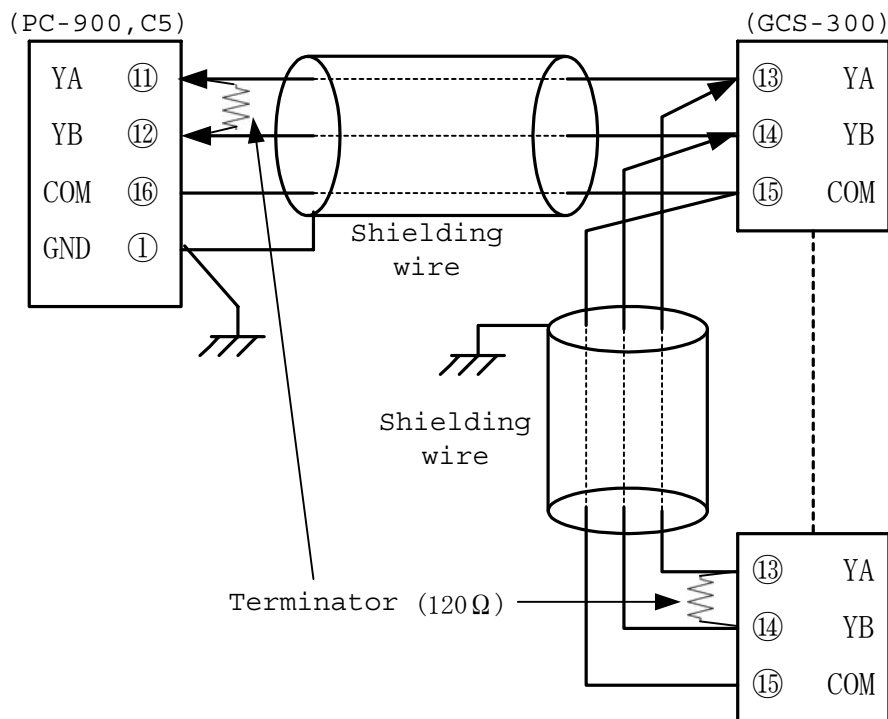


- In case the converter is IF-100-C5, and between the converter and host computer is connected by RS-422A.
 Connection: RS-422A ↔ RS-485 (Data transfer rate: 1200, 2400, 4800 or 9600bps)



- **Setting value digital transmission (Option code: SVTC)**

When the option C5 (RS-485) is applied, connect the wire between the PC-900 and the GCS-300 as shown below.



[Fig. 2-3]

- **As for the shielding wire**

- Connect the shielding wire **only one side** to FG or ground (GND) terminal so as not to flow the current into the shielding wire.

If both sides of the wire are connected to the FG or ground terminal, the circuit is made between the wire and ground, and **the noise may easily occur by the current.**

- The FG or ground terminal must be grounded.

- **As for the terminator (Terminal resistor)**

- The more the communication line becomes long, the less the communication performs because **the transfer waveform becomes wrong owing to the echo.** To prevent this, connect the terminator.

- The place to connect should be the physical terminal of the communication cable.

- Communication converter of [IF-100-C5] or [IF-300-C5] is provided **on separate sale.**

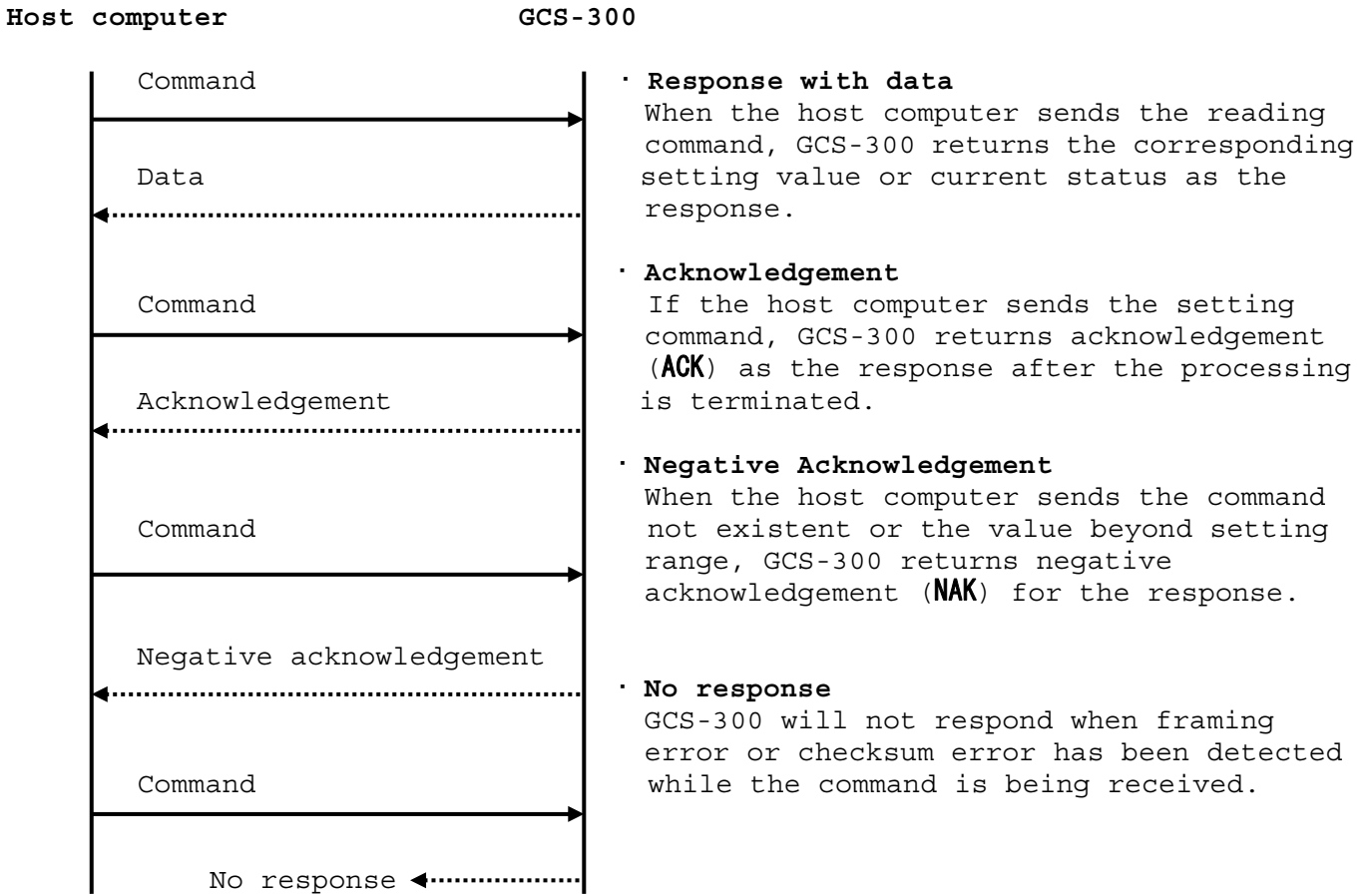
3. As for the instrument setting

- When communicating by connecting plural GCS-300s in serial communication [option C5], the instrument number should be set individually.
- Select the data transfer rate for the GCS-300 to fit the host computer.
- Refer to the instruction manual of GCS-300 for the instrument number setting and data transfer rate selection.

4. Communication procedure

RS-485 [Option code: C5]

Communications between a host computer and the GCS-300 are started by sending the command from the host computer, and terminated by receiving the response from the GCS-300.



[Fig. 4-1]

● Communication timing of RS-485 [Option code: C5]

· As to the GCS-300 side

When the GCS-300 starts transmission to RS-485 communication line, the GCS-300 is arranged so as to provide 1 character transmission period or more of idle status (mark status) to make the synchronous sure on the receiving side.

The GCS-300 is arranged so as to cut the transmitter off from the communication line within the period of 1 character transmission after sending the response.

· As to the host computer side

Make the program so that the host computer can provide 1 character transmission period or more of idle status (mark status) before sending the command to make the synchronous sure on the receiving side when the host computer starts the transmission to RS-485 communication line.

Make the program so that the host computer can cut the transmitter off from the communication line within the period of 1 character transmission after sending the command in preparation for reception of the response from the GCS-300.

To avoid the collision of transmission between the host computer and the GCS-300, send the next command after checking that the host computer surely received the response.

In case the host computer communicates with the GCS-300 through the line converter (IF-100-C5, IF-300-C5, sold separately), it is not required to manage the transmission timing described above because the converter takes the timing interpreting the protocol automatically.

5. Command configuration

5.1 Command configuration

All commands are composed of ASCII codes.

The data (setting value) are converted to Hexadecimal number and ASCII codes are used for the command.

Negative number is represented by 2's complement.

(1) Command

Header	Address	Sub address	Command type	Data item				Data				Checksum	Delimitter
				16 ³	16 ²	16 ¹	16 ⁰	16 ³	16 ²	16 ¹	16 ⁰		

[Fig. 5.1-1]

- Header** : STX(02H fixed), Start of text.
Control code to represent the beginning of the command (text).
- Address** : Instrument number 0 to 95 (20H to 7FH)
Number by which the host computer discriminates the GCS-300. The numbers are used by giving 20H of bias (20H to 3FH), because 0 to 31 (00H to 1FH) are used for control code. 95 (7FH) is called as **Global address**, and is used when sending the same command to all the GCS-300s connected. However, the response is not returned.
- Sub address** : It is fixed as 20H.
- Command type** : Code to discriminate the reading command or setting command.
20H, Reading command
50H, Setting command
- Data item** : It represents the data sort for the command.
It is made up by 4 digits of hexadecimal number.
(Refer to the command table.)
- Data** : The contents of the data differ by the setting command.
It is made up by 4 digits of hexadecimal number.
(Refer to the command table.)
Reading command has no data.
- Checksum** : 2-character of data to detect a communication error.
- Delimiter** : ETX (03H, fixed), End of text.
Control code to represent the ending of the command (text).

(2) Response to the command

- Response with data (Response to the reading command)

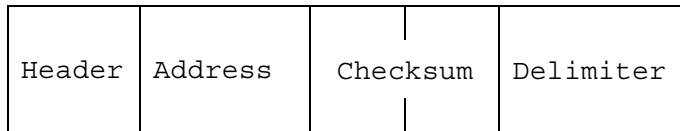
Header	Address	Sub address	Command type	Data item				Data				Checksum	Delimitter
				16 ³	16 ²	16 ¹	16 ⁰	16 ³	16 ²	16 ¹	16 ⁰		

[Fig. 5.1-2]

- Header** : ACK(06H, fixed), [Acknowledgement].
Control code to represent the beginning of the response.
- Address** : It represents the instrument number 0 to 95 (20H to 7FH).
The same code as the received command is used for the response.
- Sub address** : It is fixed as 20H
- Command type** : Code to discriminate the reading or setting command.
20H, Reading command
50H, Setting command
The same code as the received command is used for the response.

- Data item** : It represents the data sort for the command.
It is made up by 4 digits of hexadecimal number.
(Refer to the command table.)
The same code as the received command is used for the response.
- Data** : The contents of the data differ by the reading command.
It is made up by 4 digits of hexadecimal number.
(Refer to the command table.)
- Checksum** : 2-character of data to detect a communication error.
- Delimiter** : ETX (03H, fixed), End of text.
Control code to represent the ending of the response.

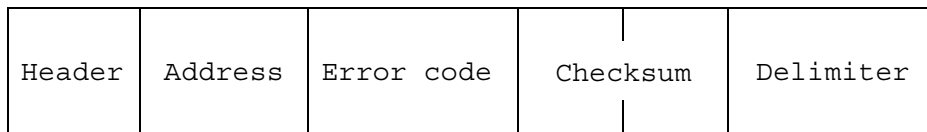
● **Acknowledgement**



[Fig. 5.1-3]

- Header** : ACK(06H fixed), [Acknowledgement]
Control code to represent the beginning of the response.
- Address** : It represents the instrument number 0 to 95 (20H to 7FH).
The same code as the received command is used for the response.
- Checksum** : 2-character of data to detect a communication error.
- Delimiter** : ETX (03H, fixed), End of text.
Control code to represent the ending of the response.

● **Negative acknowledgement**



[Fig. 5.1-4]

- Header** : NAK(15H fixed), [Negative acknowledgement]
Control code to represent the beginning of the response.
- Address** : It represents the instrument number 0 to 95 (20H to 7FH).
The same code as the received command is used for the response.
- Error code** : It represents the type of error.
It is made up by 1 digit of hexadecimal number.
 - 1 (31H) When it is the command not existent
 - 2 (32H) Not used
 - 3 (33H) When setting is out of the range
 - 4 (34H) When the status is not settable [Auto-tuning].
 - 5 (35H) During the setting mode by key operation.
- Checksum** : 2-character of data to detect a communication error.
- Delimiter** : ETX (03H, fixed), End of text.
Control code to represent the ending of the response.

5.2 Checksum calculation

Checksum is used to detect a receiving error of the command or data. Make the program for the host computer side as well to calculate the checksum of the response data from the GCS-300 to check the communication error.

ASCII code (hexadecimal) corresponding to the character from the address (instrument number) to the character front of the checksum is converted to binary notation, and the total value is made.

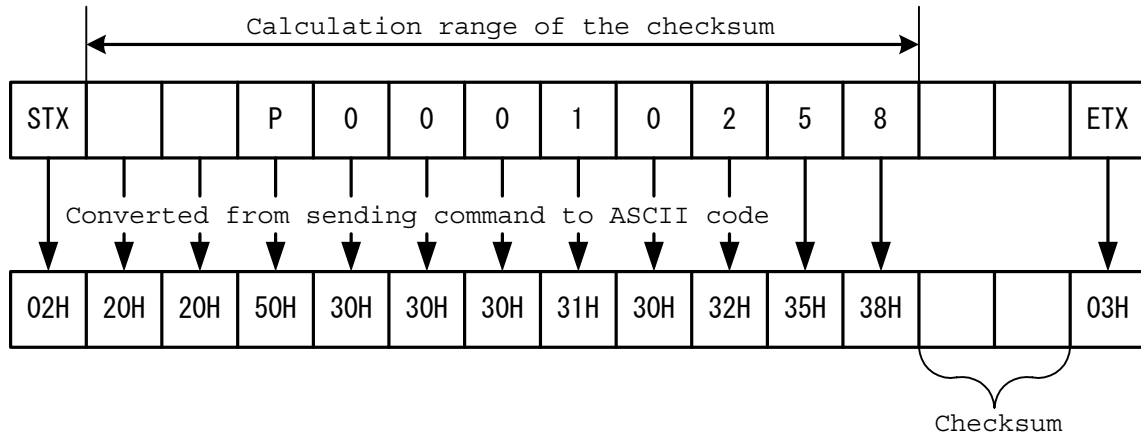
The lower 2-digit of the total value are converted to 2's complements and further to hexadecimal, that is, ASCII code. This is the checksum.

Refer to the following example procedure.

● **Checksum calculation example** is shown as follows.

Main setting value: 600°C (Fixed value control)

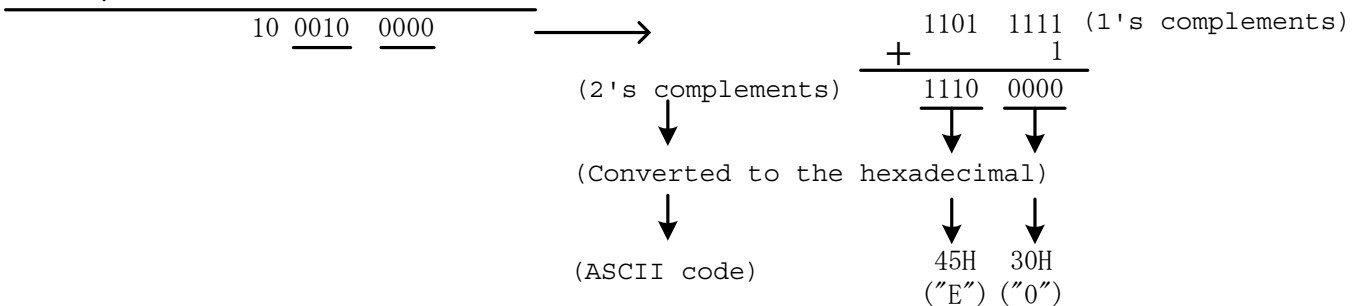
Instrument number : 0 (20H)



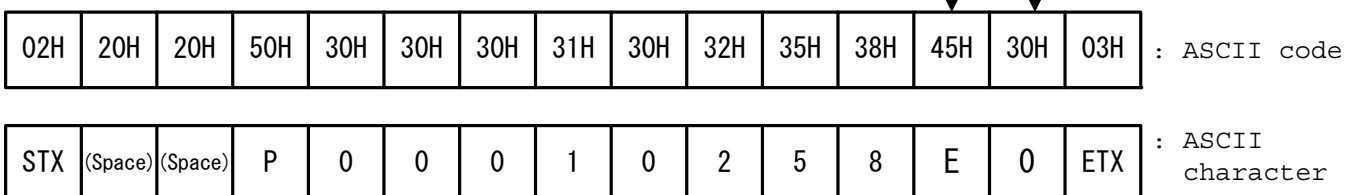
[Hexadecimal] [Binary notation]

20H	0010	0000
20H	0010	0000
50H	0101	0000
30H	0011	0000
30H	0011	0000
30H	0011	0000
31H	0011	0001
30H	0011	0000
32H	0011	0010
35H	0011	0101
+ 38H	0011	1000

1's complements:
Make each bit of binary 0 and 1 reverse.
2's complements:
Add 1 to the 1's complements.



[Code to be transmitted]



6. Contents of the command

6.1 Notices for setting and reading command

- Though lock mode is designated by Setting value lock, the setting by setting command is effective.
- Even if the option is not applied, it is possible to set by setting command, however, the setting is ineffective.
- The life of memory is approximately 1 000 000 (one million) in number of times of writing. If the number of times exceeds the limit, it cannot memorize the data.
- When connecting plural GCS-300s, the same instrument numbers should not be applied to the plural GCS-300s.
- When sending the command by Global address [95 (7FH)], the same command is sent to all GCS-300s connected. However, the response is not returned.
- The instrument number and data transfer rate of GCS-300 cannot be set by communication. Set them by front key operations of the GCS-300.

● As to setting command

- The settable range is the same as key operation. Refer to the Command table for the communication command.
- All commands are composed of ASCII codes.
- The data (setting value) is converted to hexadecimal number, and ASCII code is used. Negative number is represented by 2's complement.
- When the data (setting value) has a decimal point, make the value 10 times as much value as the setting.

● As to reading command

- All commands are composed of ASCII codes.
- The data (setting value) is converted to hexadecimal number, and ASCII code is used. Negative number is represented by 2's complement.
- When the setting value has a decimal point, it returns the value by making 10 times as much value as the setting.

6.2 Command table

- Table below describes data item, data and command type.
When the setting value for the data has a decimal point, make the value 10 times as much value as the setting and convert to hexadecimal.

Data item		Data	Command type
0001H	Main setting 1	Setting value	20H/50H
0002H	Main setting 2	Setting value	20H/50H
0003H	PID auto-tuning Performance/Cancellation, or PD Auto-reset Performance (Auto-reset can be performed only when temperature is within the proportional band, however, cancelled automatically in 4 minutes after start.)	0000H: Cancellation 0001H: Performance	20H/50H
0004H	Proportional band setting	Setting value	20H/50H
0005H	Reserved (Do not use.)		
0006H	Integral time setting	Setting value	20H/50H
0007H	Derivative time setting	Setting value	20H/50H
0008H	Proportional cycle setting	Setting value	20H/50H
0009H	Reserved (Do not use.)		

Data item		Data	Command type
000BH	Temperature alarm 1 (A1) setting	Setting value	20H/50H
000CH	Temperature alarm 2 (A2) setting	Setting value	20H/50H
000FH	Heater burnout alarm setting	Setting value	20H/50H
0010H	Loop break alarm action time setting	Setting value	20H/50H
0011H	Loop break alarm action span setting	Setting value	20H/50H
0012H	Setting value lock selection. When lock mode 3 is selected, set data are not saved in the memory. By the power supply off, the setting value returns to the former one.	0000H: Unlock 0001H: Lock 1 0002H: Lock 2 0003H: Lock 3	20H/50H
0013H	Main setting value high limit setting	Setting value	20H/50H
0014H	Main setting value low limit setting	Setting value	20H/50H
0015H	Sensor correction setting	Setting value	20H/50H
0016H	Reserved (Do not use.)		
001BH	PV filter time constant setting	Setting value	20H/50H
001CH	Output high limit setting	Setting value	20H/50H
001DH	Output low limit setting	Setting value	20H/50H
001EH	Output ON/OFF hysteresis setting	Setting value	20H/50H
001FH	Reserved (Do not use.)		
0020H	Reserved (Do not use.)		
0021H	Reserved (Do not use.)		
0022H	Reserved (Do not use.)		
0023H	Temperature alarm 1 (A1) action selection. If alarm action type is changed, the setting value becomes 0, and output status is initialized.	0000H: No alarm 0001H: High limit 0002H: Low limit 0003H: High and low limits 0004H: Hi/Lo limit range 0005H: Process high alarm 0006H: Process low alarm 0007H: High limit w/standby 0008H: Low limit w/standby 0009H: Hi/Lo limits w/standby	20H/50H
0024H	Temperature alarm 2 (A2) action selection If alarm action type is changed, the setting value becomes 0, and output status is initialized.	Data are the same as the alarm 1 action selection.	20H/50H
0025H	Temperature alarm 1 (A1) action hysteresis setting	Setting value	20H/50H
0026H	Temperature alarm 2 (A2) action hysteresis setting	Setting value	20H/50H
0029H	Temperature alarm 1 (A1) action delayed timer setting	Setting value	20H/50H
002AH	Temperature alarm 2 (A2) action delayed timer setting	Setting value	20H/50H
0037H	Control output OFF function setting	0000H: PV or SV display 0001H: OFF display	20H/50H
0040H	Temperature alarm 1 (A1) energized/deenergized	0000H: Energized 0001H: Deenergized	20H/50H
0041H	Temperature alarm 2 (A2) energized/deenergized	0000H: Energized 0001H: Deenergized	20H/50H

Data item		Data	Command type
0044H	Sensor type selection	0000H: K °C 0001H: J °C 0002H: E °C 0003H: Pt100 °C 0004H: JPt100 °C 0005H: Pt100 °C (with decimal point) 0006H: JPt100 °C (with decimal point) 0007H: K °F 0008H: J °F 0009H: E °F 0010H: Pt100 °F 0011H: JPt100 °F	20H/50H
0045H	Output Direct/Reverse action change	0000H: Reverse action 0001H: Direct action	20H/50H
0047H	Auto-tuning bias setting	Setting value	20H/50H
0070H	Clearing the key operation change flag	0000H: Not processed 0001H: All clearing	50H
0080H	Current PV reading	Current PV (Process variable)	20H
0081H	Current MV reading	Current MV (Manipulating value)	20H
0082H	Reserved (Do not use.)		
0083H	Current SV reading	Current SV (Setting value)	20H
0085H	Current output status reading.	<u>0000</u> <u>0000</u> <u>0000</u> <u>0000</u> 2^{15} to 2^0 2^0 digit: Main control output 0: OFF, 1: ON (Current output unfixed) 2^1 digit: Reserved, always 0 2^2 digit: Alarm 1 (A1) output 0: OFF, 1: ON 2^3 digit: Alarm 2 (A2) output 0: OFF, 1: ON 2^4 digit: Always 0 2^5 digit: Always 0 2^6 digit: Heater burnout alarm output 0: OFF, 1: ON 2^7 digit: Loop break alarm output 0: OFF, 1: ON 2^8 digit: Over scale 0: OFF, 1: ON 2^9 digit: Under scale 0: OFF, 1: ON 2^{10} to 2^{14} digit: Always 0 2^{15} digit: Changed or Not changed by key operation. 0: Not changed 1: Changed	20H
0086H	Setting memory number reading	Selected value	20H

Items below are not applicable to 2^{15} digit.

- Instrument number setting
- Data transfer rate setting
- PV/SV display changing
- MV display mode

- Data items below (00A0H to 00A3H) are to know the specification of the instrument on the monitoring software.

Data item		Data	Command type
00A0H	Reading the software version of instrument	Numerical value	20H
00A1H	Reading the specification 1 of instrument	$\overline{0000}$ $\overline{0000}$ $\overline{0000}$ $\overline{0000}$ 2^{15} to 2^0 2^0 digit: Always 0 2^1 digit: Reserved, always 0 2^2 digit: Alarm 1 (A1) applied or not 0: Not applied 1: Applied 2^3 digit: Alarm 2 (A2) applied or not 0: Not applied 1: Applied $2^4, 2^5$ digit: Not used, always 0 2^6 digit: Heater burnout alarm applied or not 0: Not applied 1: applied 2^7 digit: Loop break alarm applied or not 0: Not applied 1: applied 2^8 to 2^{15} digit: Always 0	20H
00A2H	Reading the specification 2 of instrument	$\overline{0000}$ $\overline{0000}$ $\overline{0000}$ $\overline{0000}$ 2^{15} to 2^0 2^0 to 2^2 digit: Model name 0(000): XXD 1(001): XXR 2(010): XXM 3(011): XXS 4(100): XXL 2^3 to 2^4 digit: Output type 0(00) : R/ 1(01) : S/ 2(10) : A/ 2^5 to 2^{15} digit: always 0	20H
00A3H	Reading the data item changed by key operation. The data item code changed by key operation is read. If plural items are changed, the lowest value of data item code is read. The data item code is cleared after being read.	Data item code When none of items is changed: 0(0000H)	20H

