

HR-706 Operation Flow Chart

CONTENTS

Normal Operation Mode : Recording, Changing the Display, Engineering List Printing, Manual Printing, List Printing.....	3	Setup Mode : Setting Other Functions(Comments)	18
Setup Mode : Setting the Range (Current/Voltage, Thermocouple, Resistance temperature detector).....	4	Engineering Mode : Alarm Hysteresis, Burnout ON/OFF	19
Setup Mode : Setting the Range (scaling)	5	Engineering Mode : Channel Offset	20
Setup Mode : Setting the Range (Square Root)	6	Engineering Mode : Reference Junction Compensation	21
Setup Mode : Setting the Range (Decade).....	7	Engineering Mode : Changing the Printing Color	22
Setup Mode : Setting the Range (Difference, Sum, Average)	8	Engineering Mode : Recording RUN/STOP Trigger Setting, Channel/Tag Printing Selection, Alarm printing ON/OFF.....	23
Setup Mode : Setting the Range (Skip)	9	Engineering Mode : Logging printing ON/OFF, Scale printing ON/OFF, Synchronous/Asynchronous	24
Setup Mode : Setting the Alarm.....	10	Engineering Mode : Setting the Communication Function, Initializing the Setup Data	25
Setup Mode : Setting the Unit.....	11	Engineering Mode : DI Functions	26
Setup Mode : Setting the Chart Feed Speed, Setting the Date and Time	12	Engineering Mode : Temperature Unit Selection, Point Calibration.....	27
Setup Mode : Copying the Setting Data	13	Engineering Mode : Data Calibration(Voltage)	28
Setup Mode : Setting Other Functions(Printing Cycle, Zone Recording).....	14	Engineering Mode : Data Calibration (Resistance temperature detector)	29
Setup Mode : Setting Other Functions(Partial Compression/Expansion)	15	Engineering Mode : Data Calibration (Terminal Temperature)	30
Setup Mode : Setting Other Functions(Digital Printing)	16	Default value	31
Setup Mode : Setting Other Functions(Tag)	17		



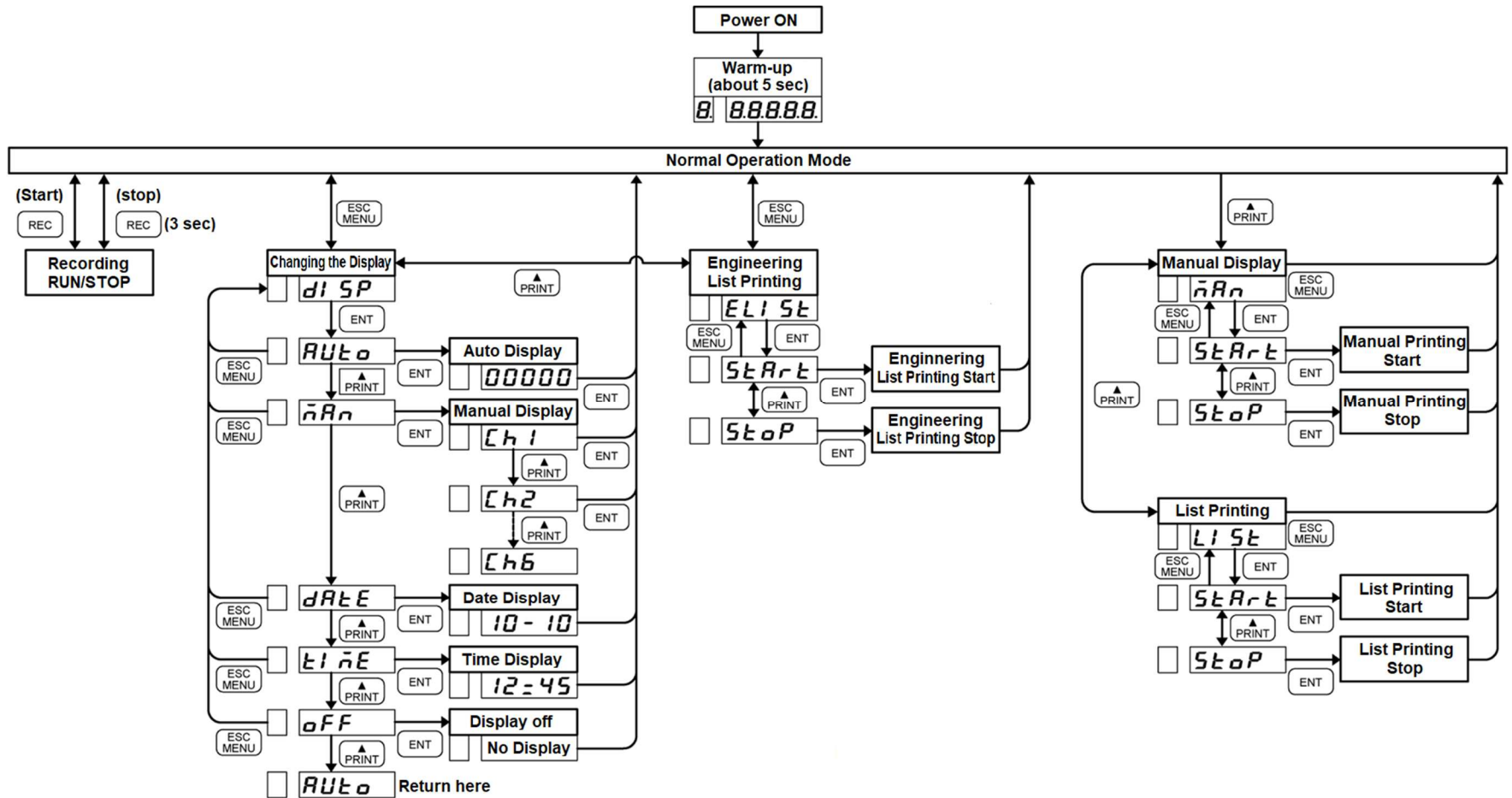
WARNING

When calibrating data, connect the equipment according to Section 9.5 of the instruction manual. Data calibration must be performed correctly. Operators possessing knowledge of electricity and control related matters should perform the calibration after careful reading of Sections 7.2 and 9.5 of the instruction manual.

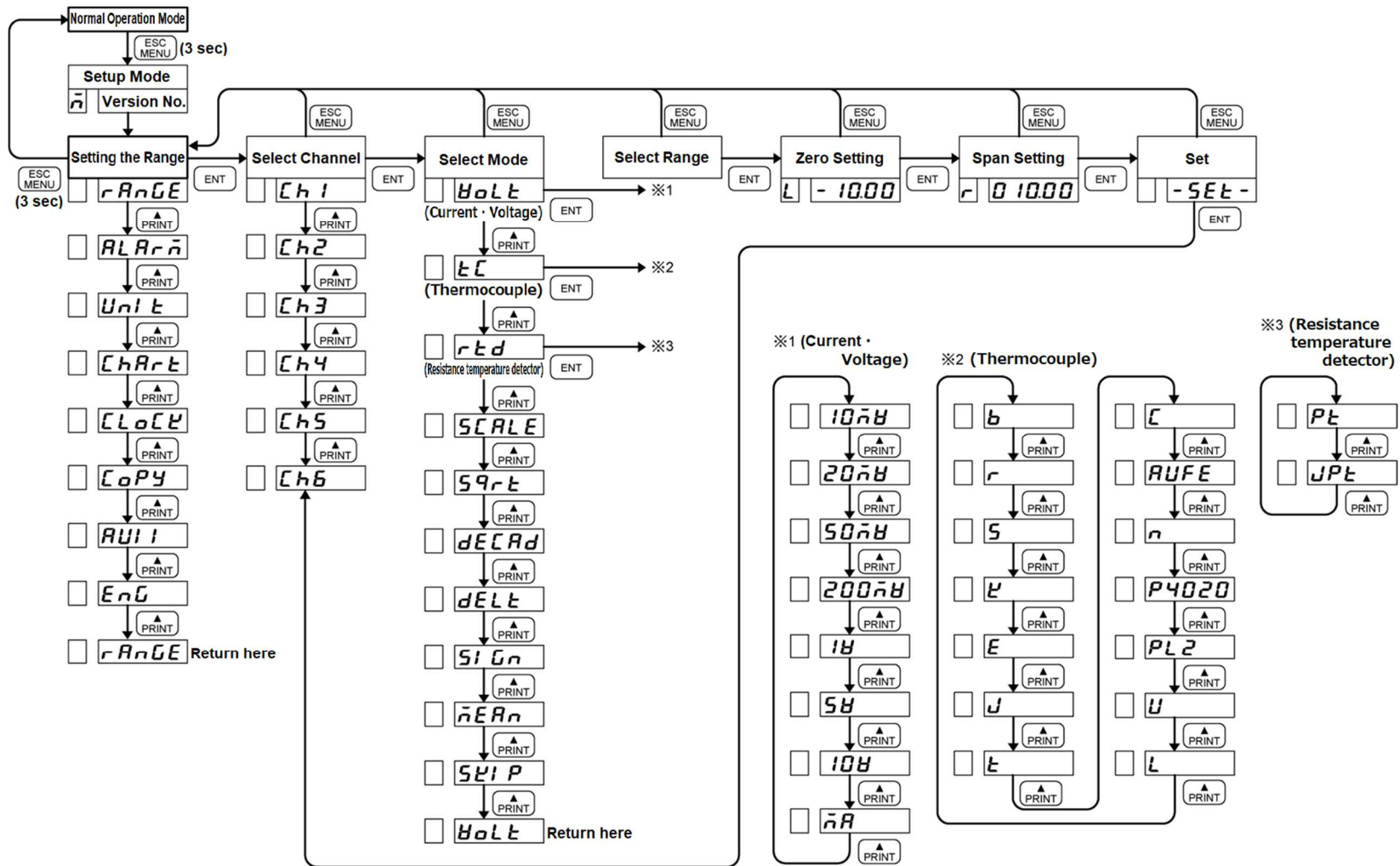
(Shinko Technos Co., Ltd. is not liable for damages incurred if calibration is performed other than prescribed in the instruction manual.)

Shinko

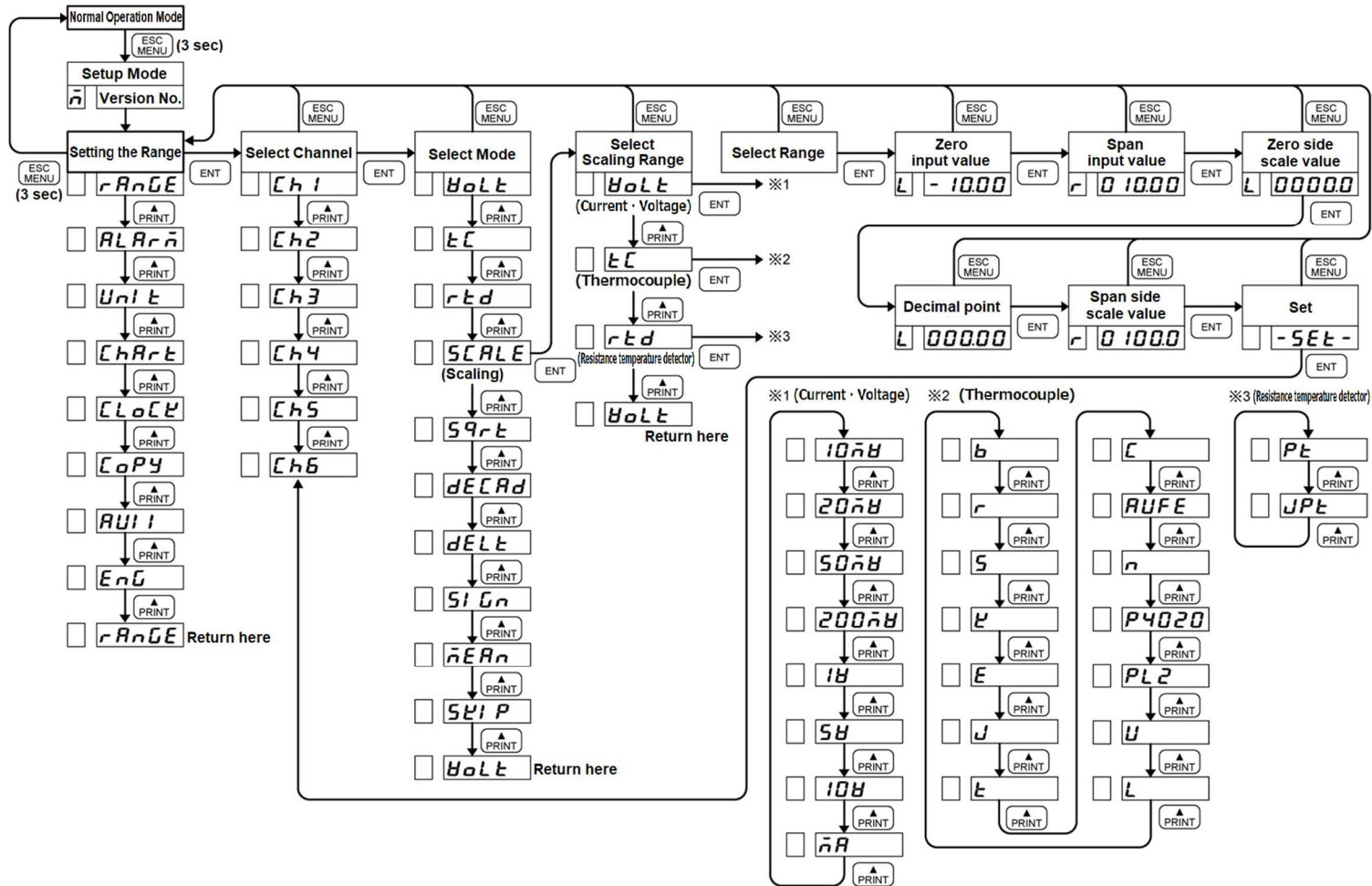
Normal Operation Mode : Recording, Changing the Display, Engineering List Printing, Manual Printing, List Printing



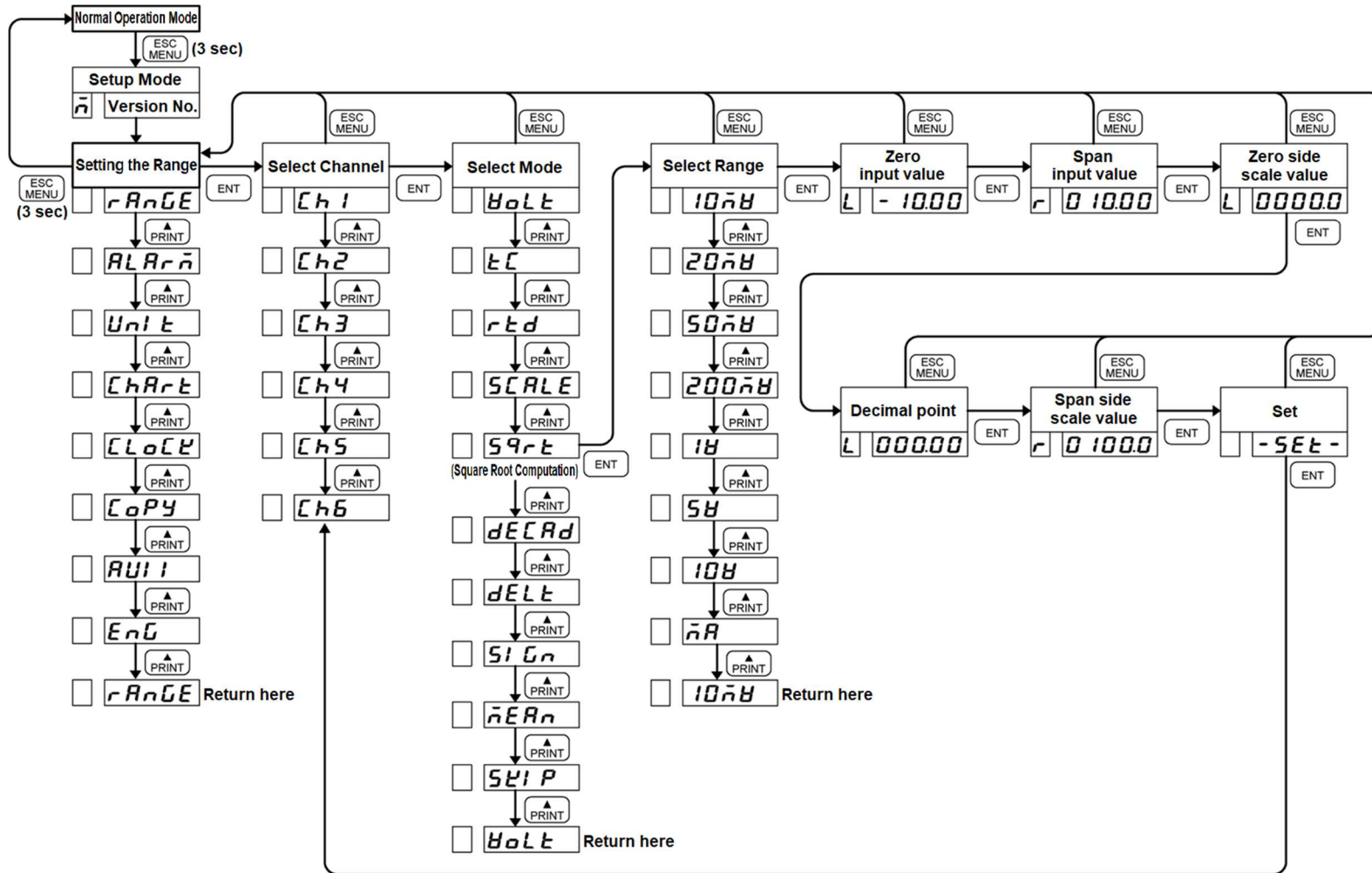
Setup Mode : Setting the Range (Current/Voltage, Thermocouple, Resistance temperature detector)



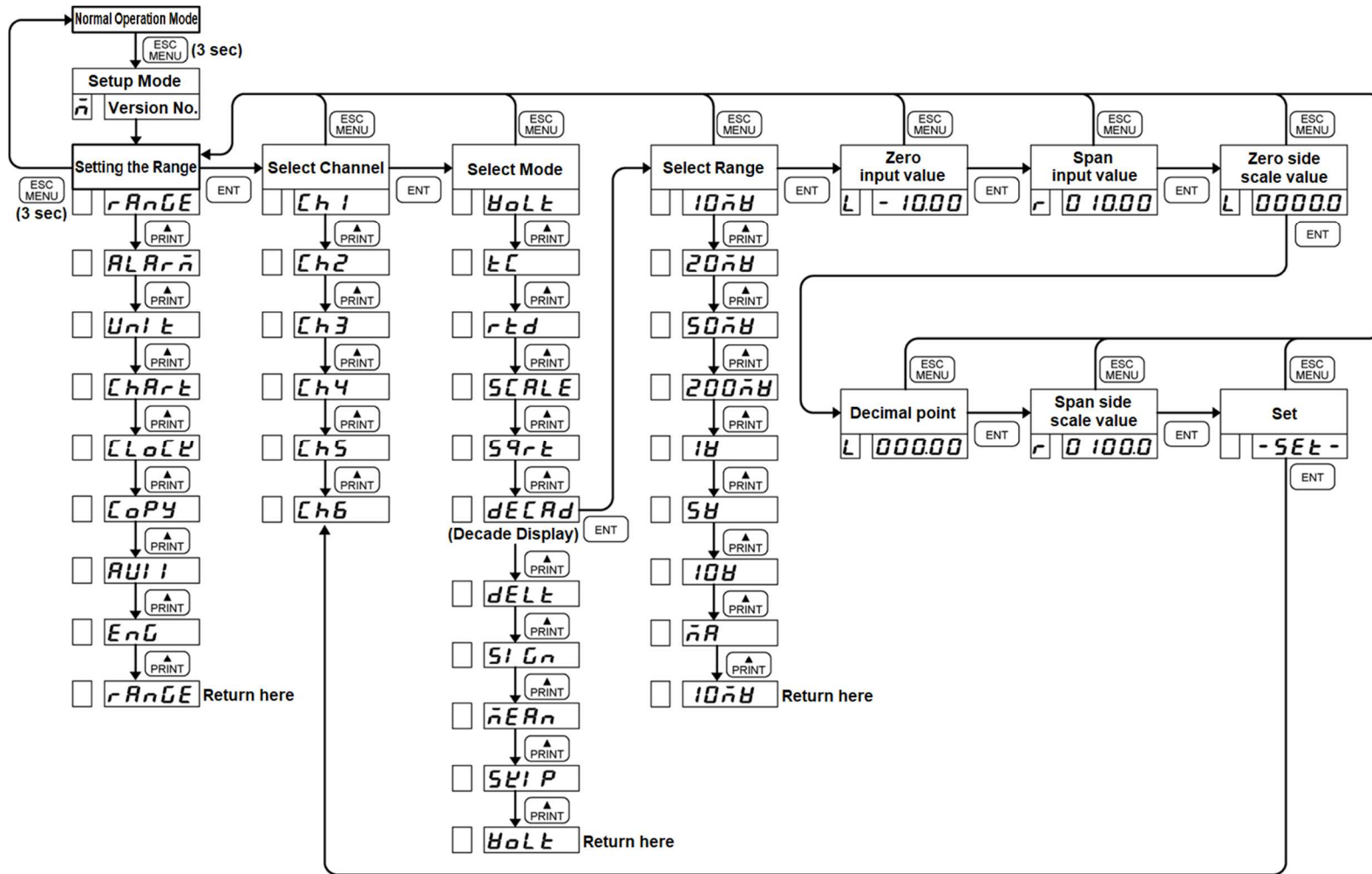
Setup Mode : Setting the Range (scaling)



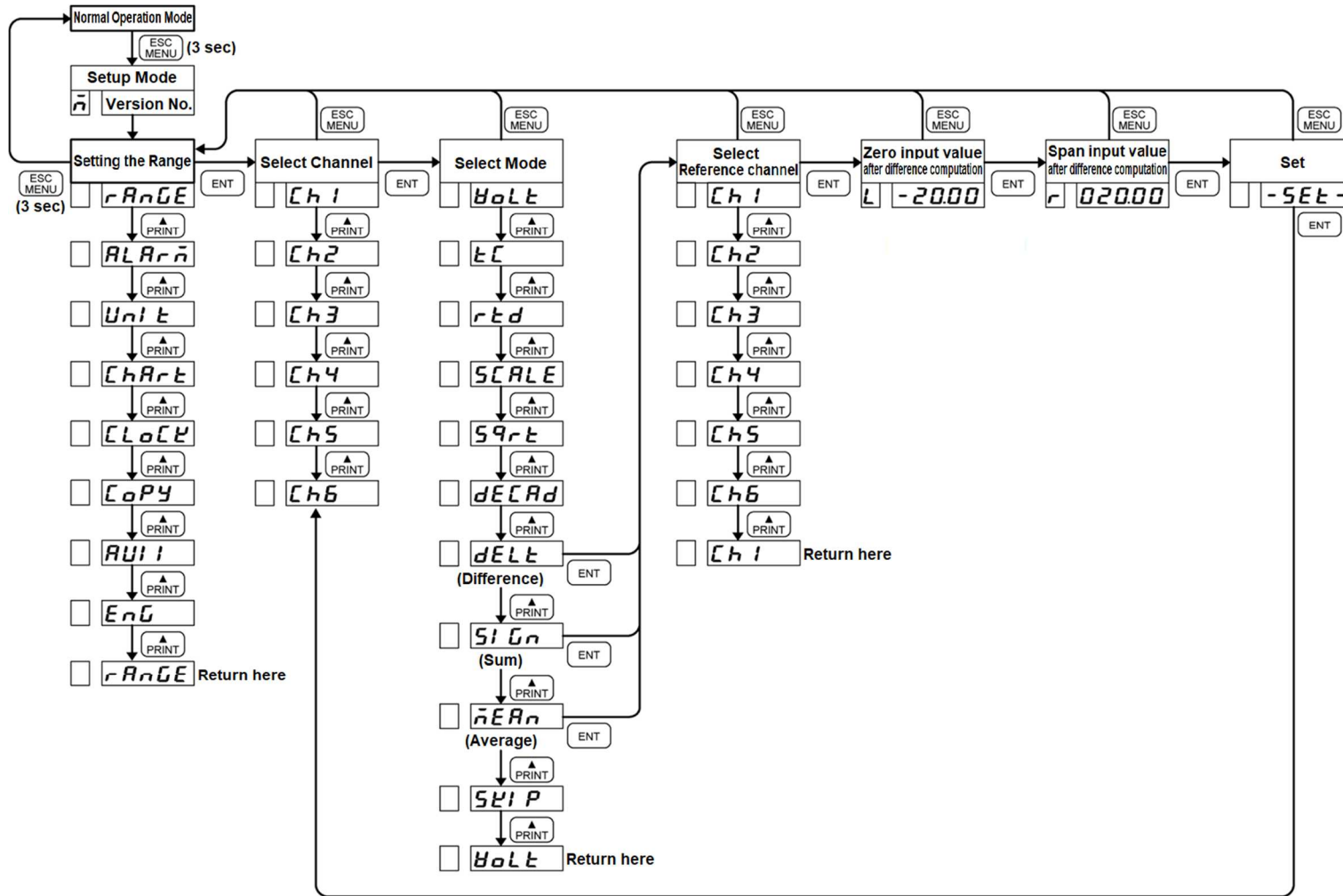
Setup Mode : Setting the Range (Square Root)



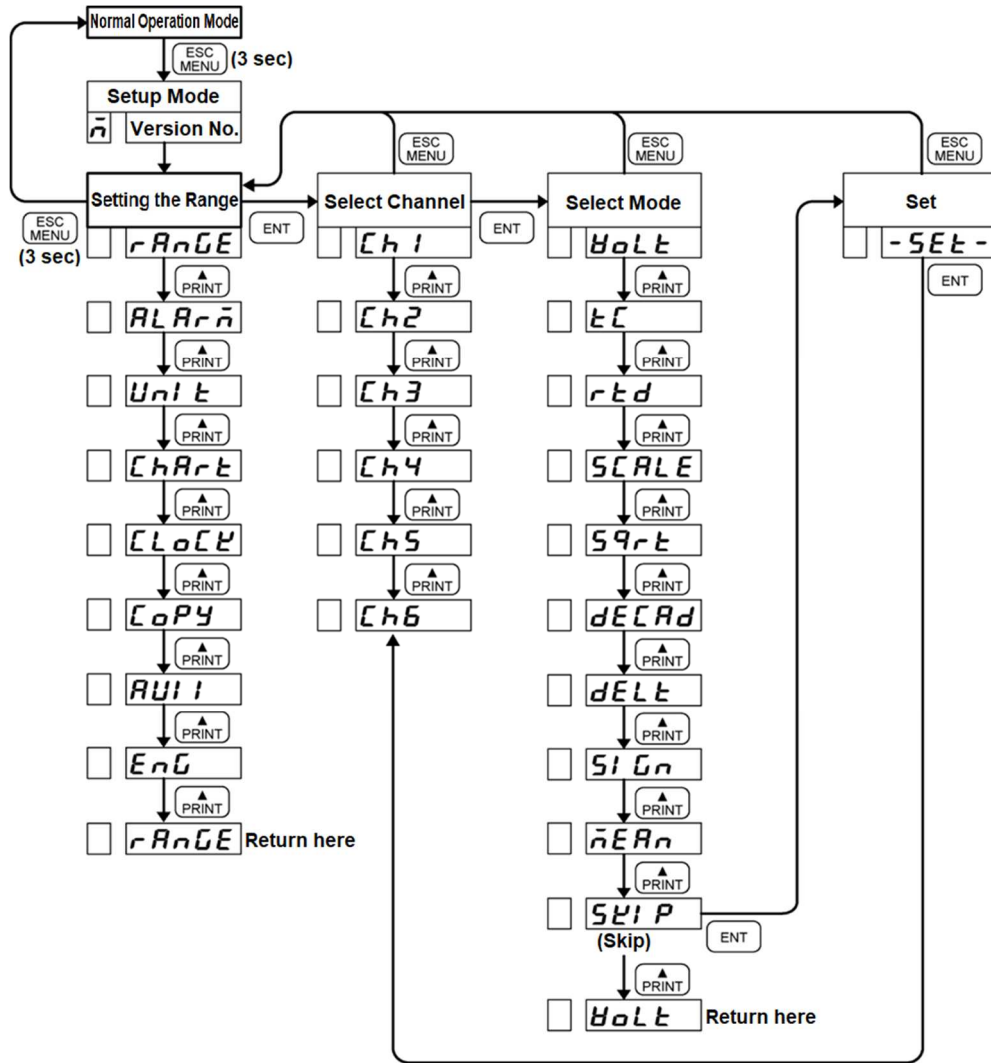
Setup Mode : Setting the Range (Decade)



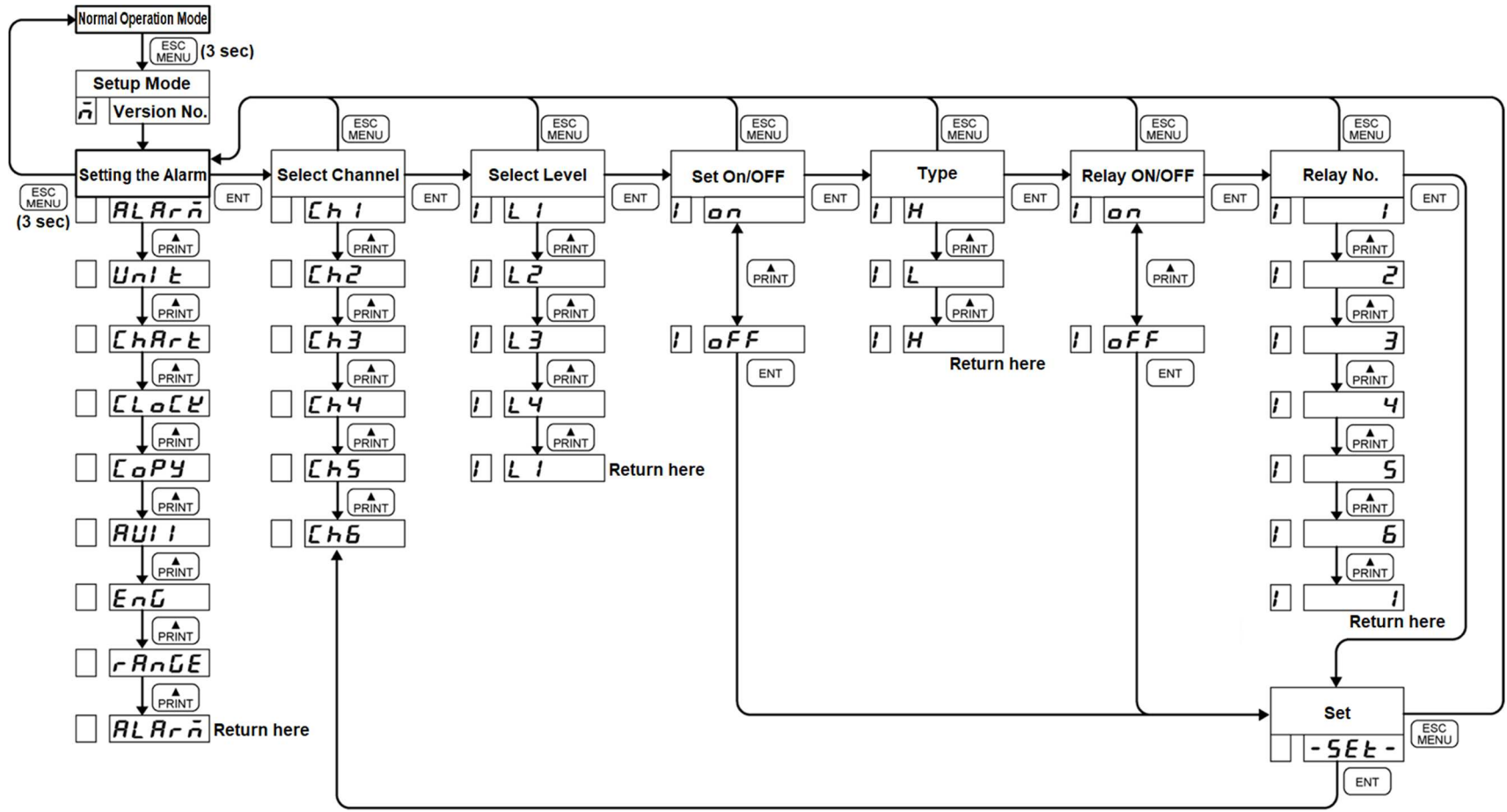
Setup Mode : Setting the Range (Difference, Sum, Average)



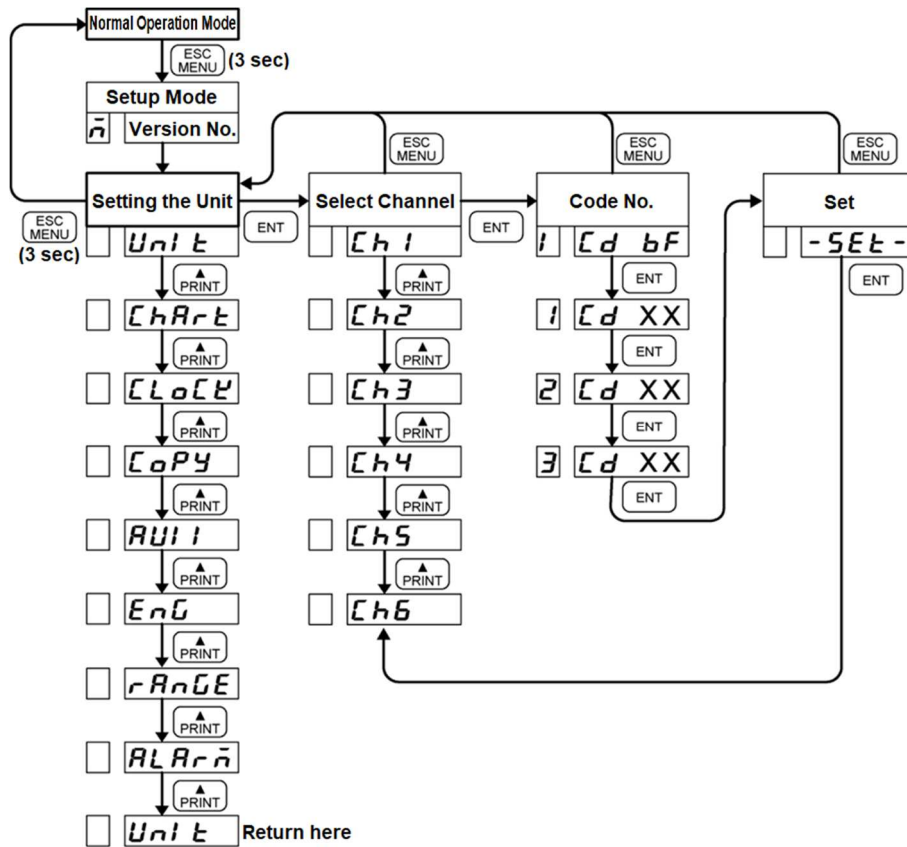
Setup Mode : Setting the Range (Skip)



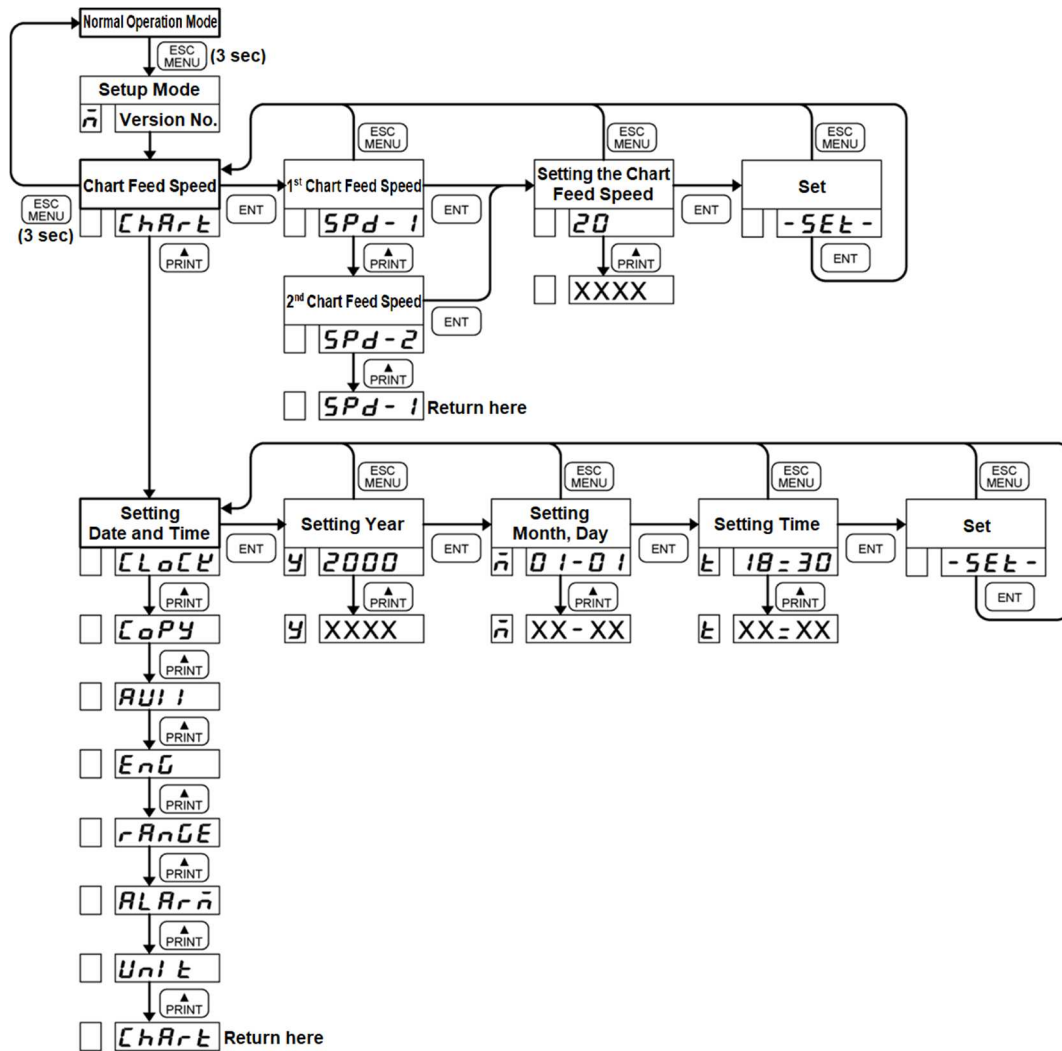
Setup Mode : Setting the Alarm



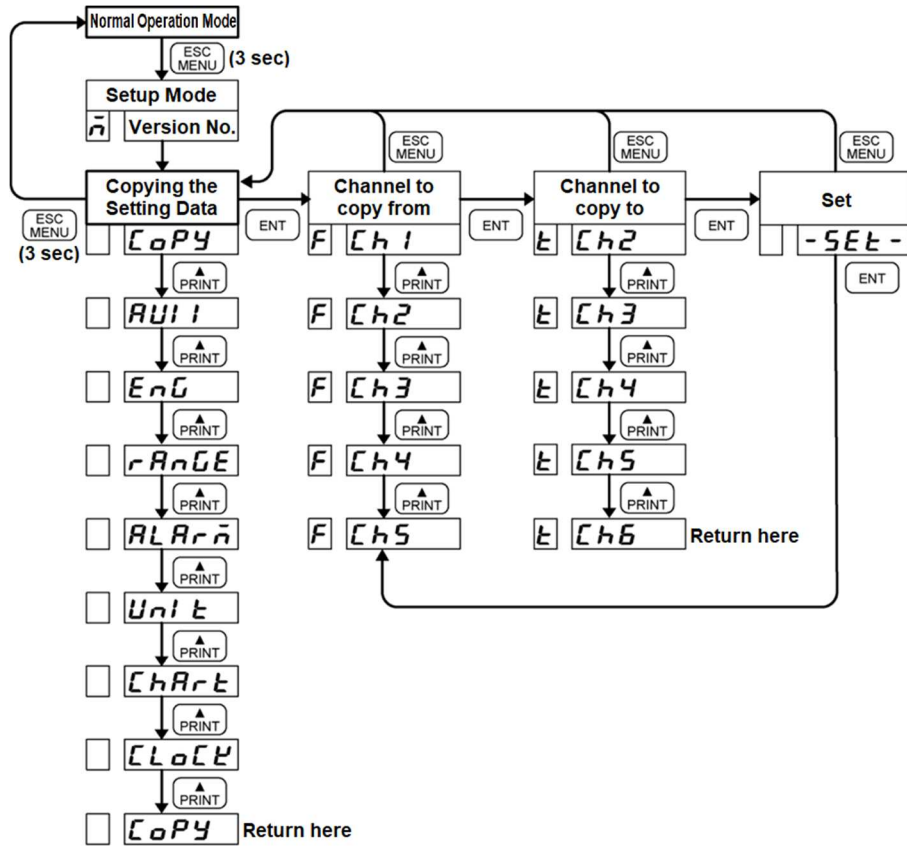
Setup Mode : Setting the Unit



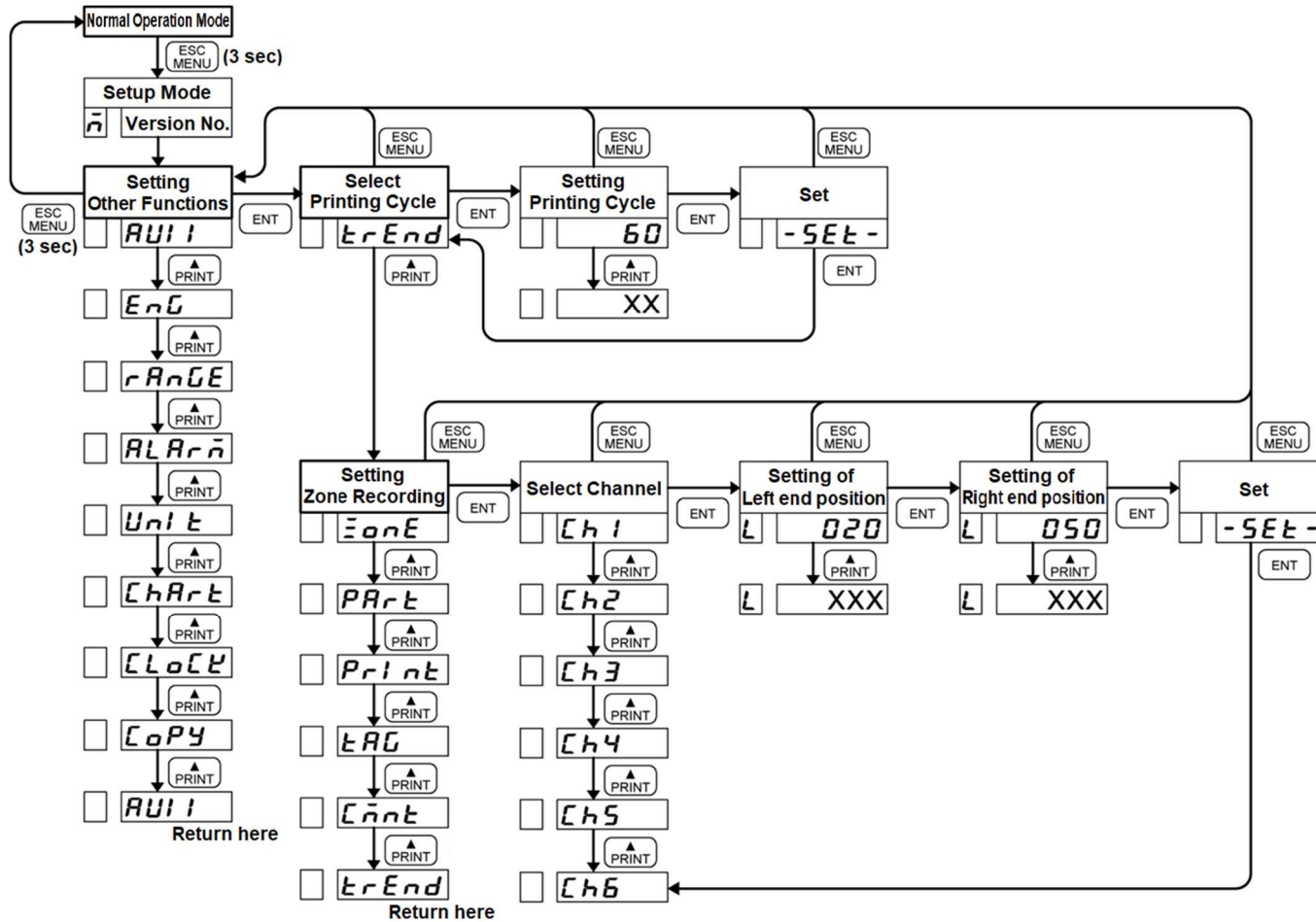
Setup Mode : Setting the Chart Feed Speed, Setting the Date and Time



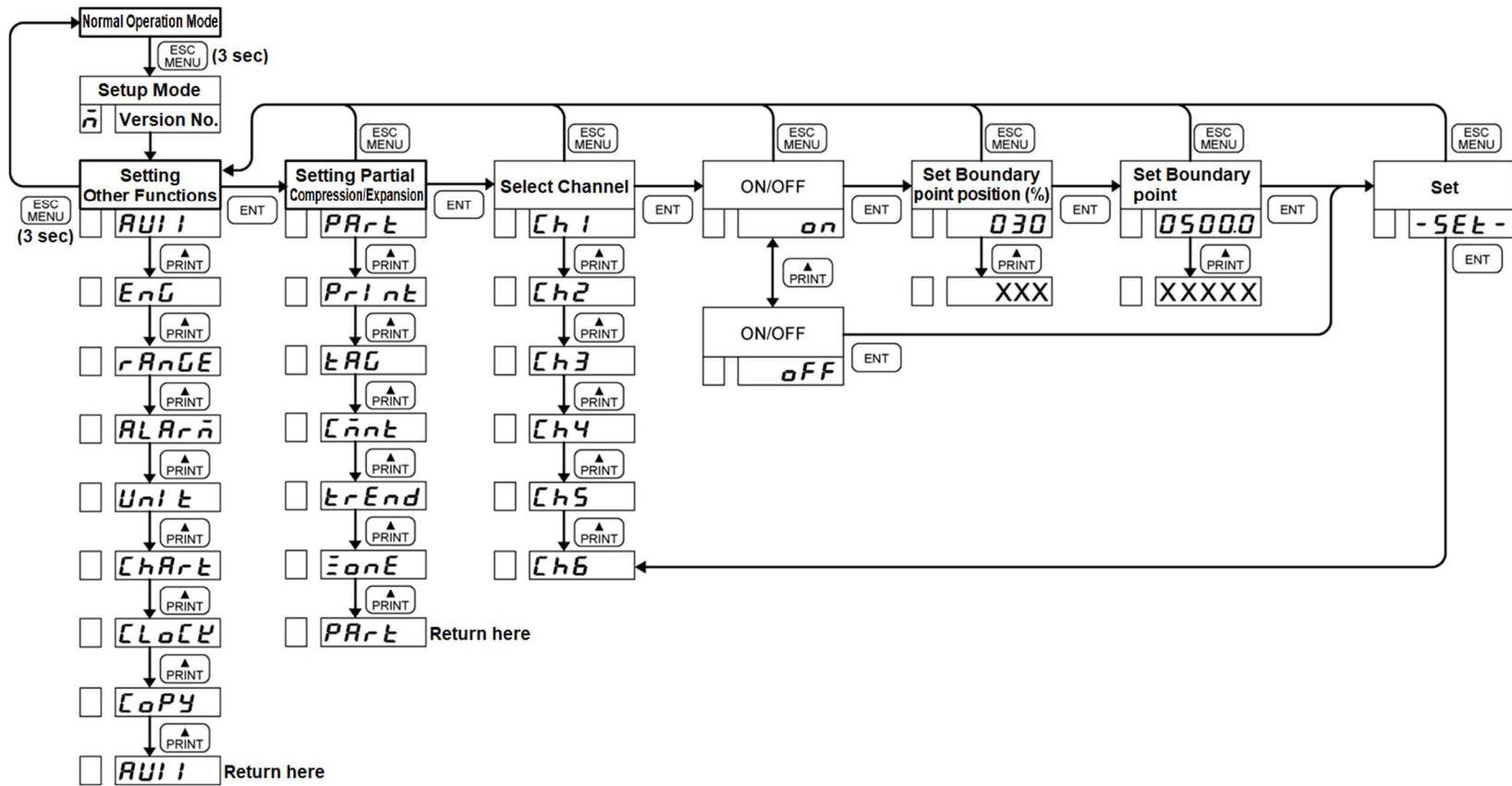
Setup Mode : Copying the Setting Data



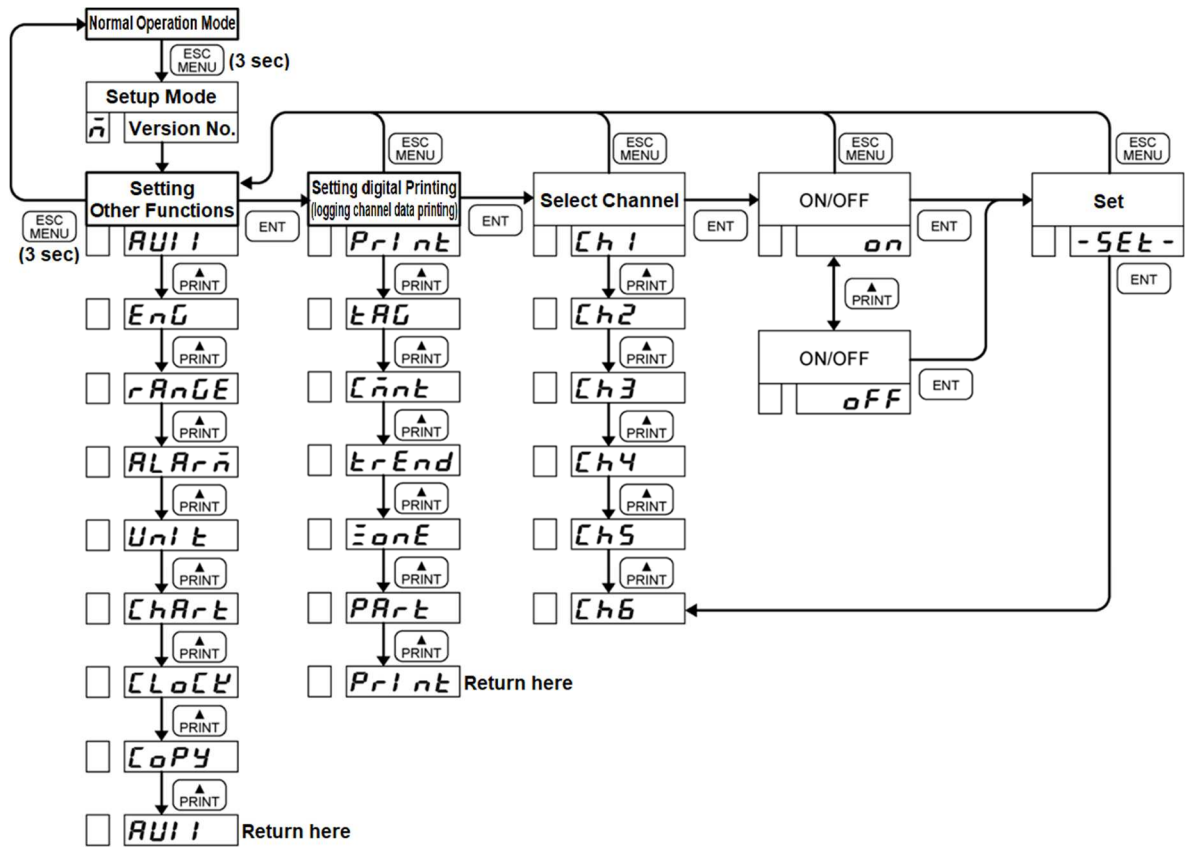
Setup Mode : Setting Other Functions(Printing Cycle, Zone Recording)



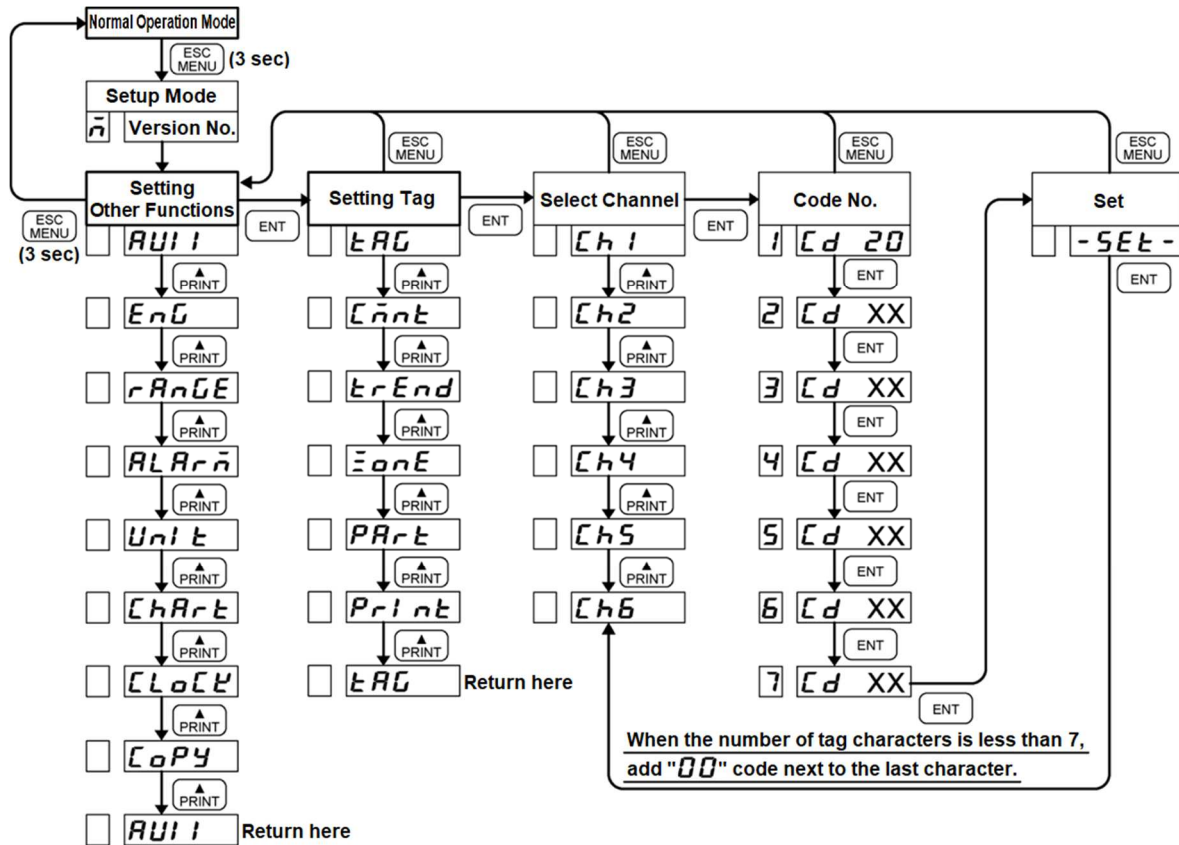
Setup Mode : Setting Other Functions(Partial Compression/Expansion)



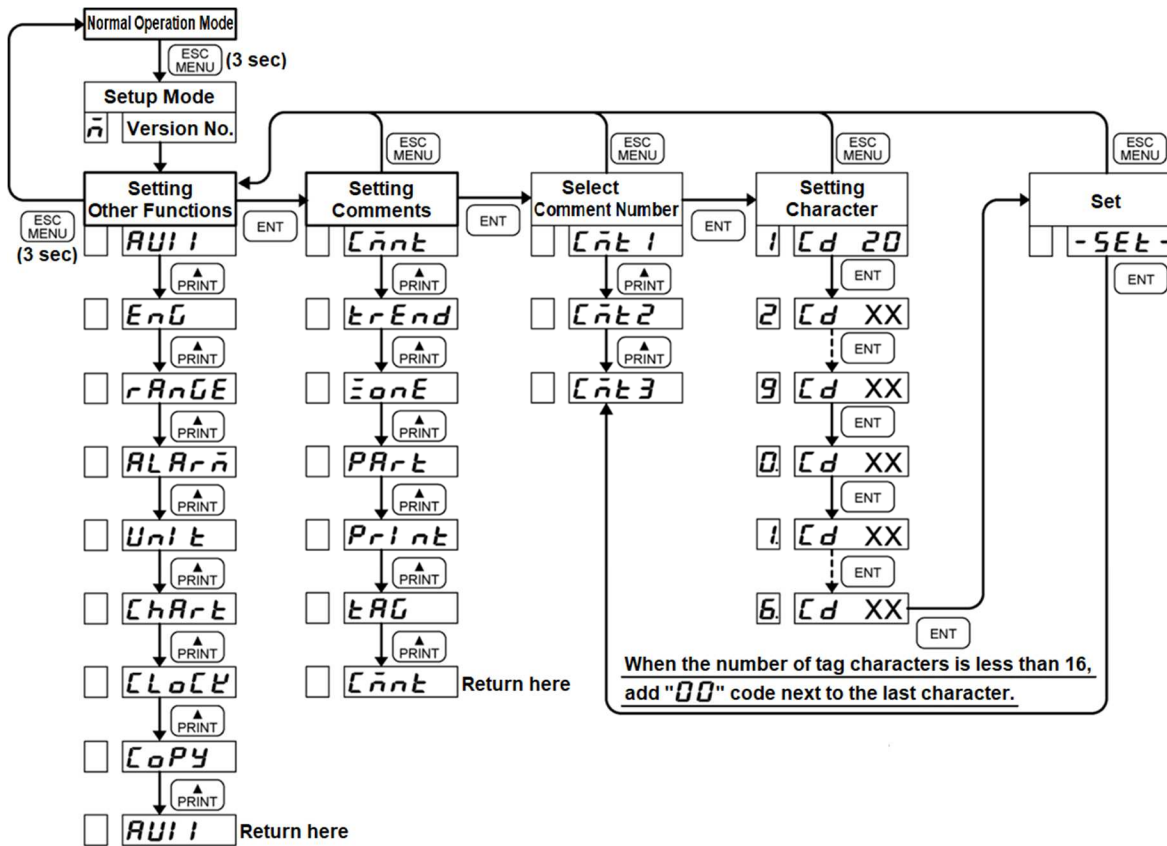
Setup Mode : Setting Other Functions(Digital Printing)



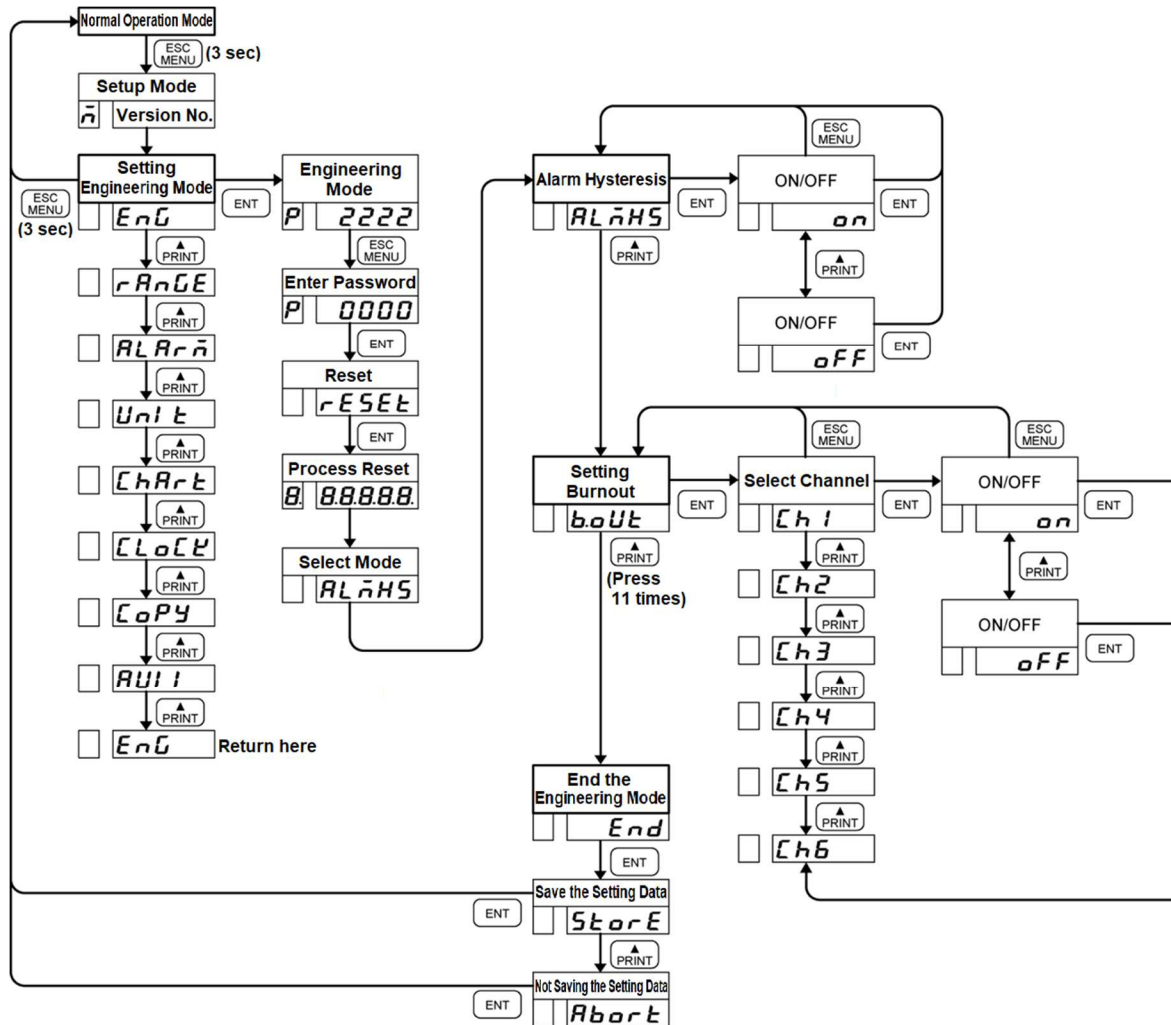
Setup Mode : Setting Other Functions(Tag)



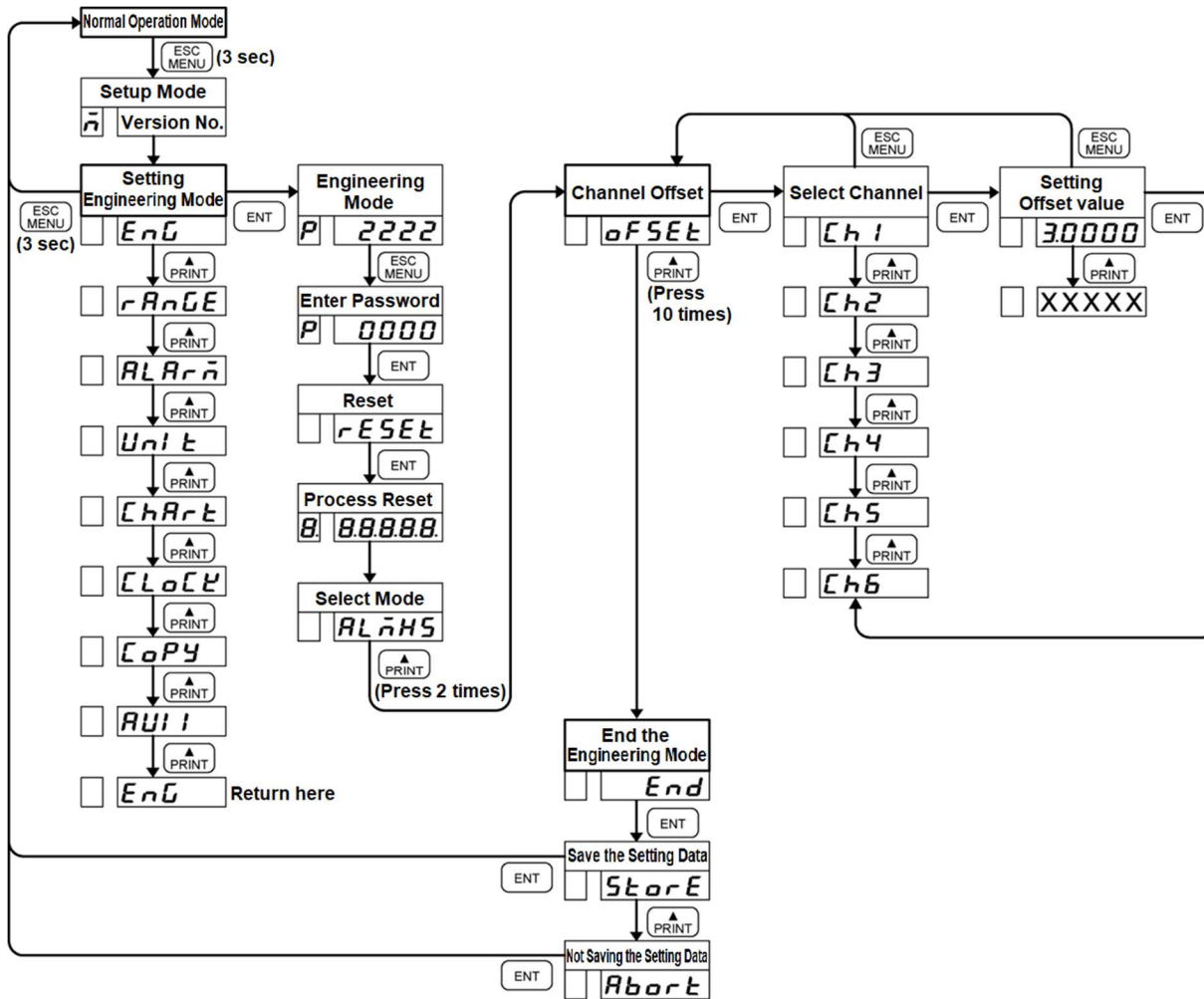
Setup Mode : Setting Other Functions(Comments)



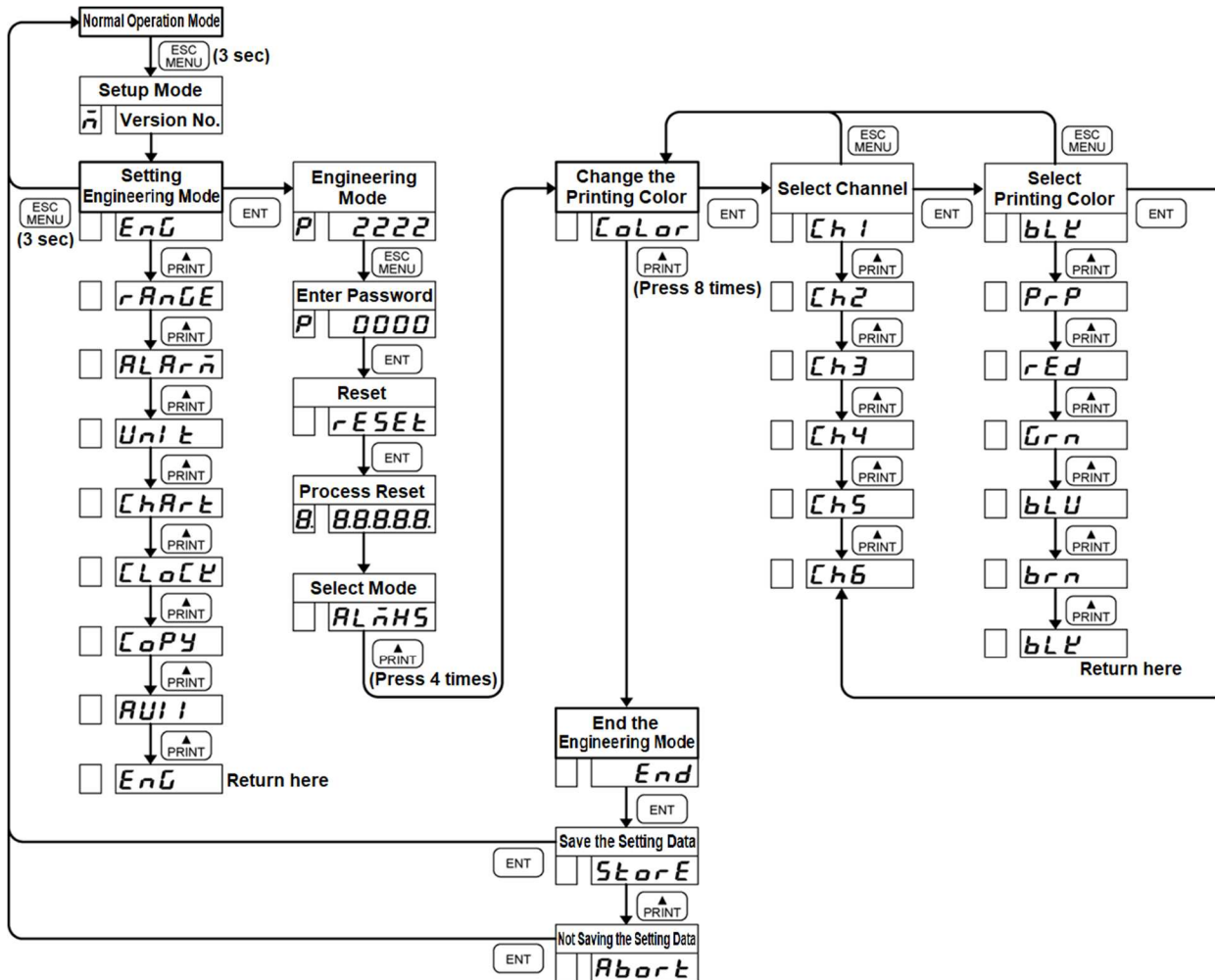
Engineering Mode : Alarm Hysteresis, Burnout ON/OFF



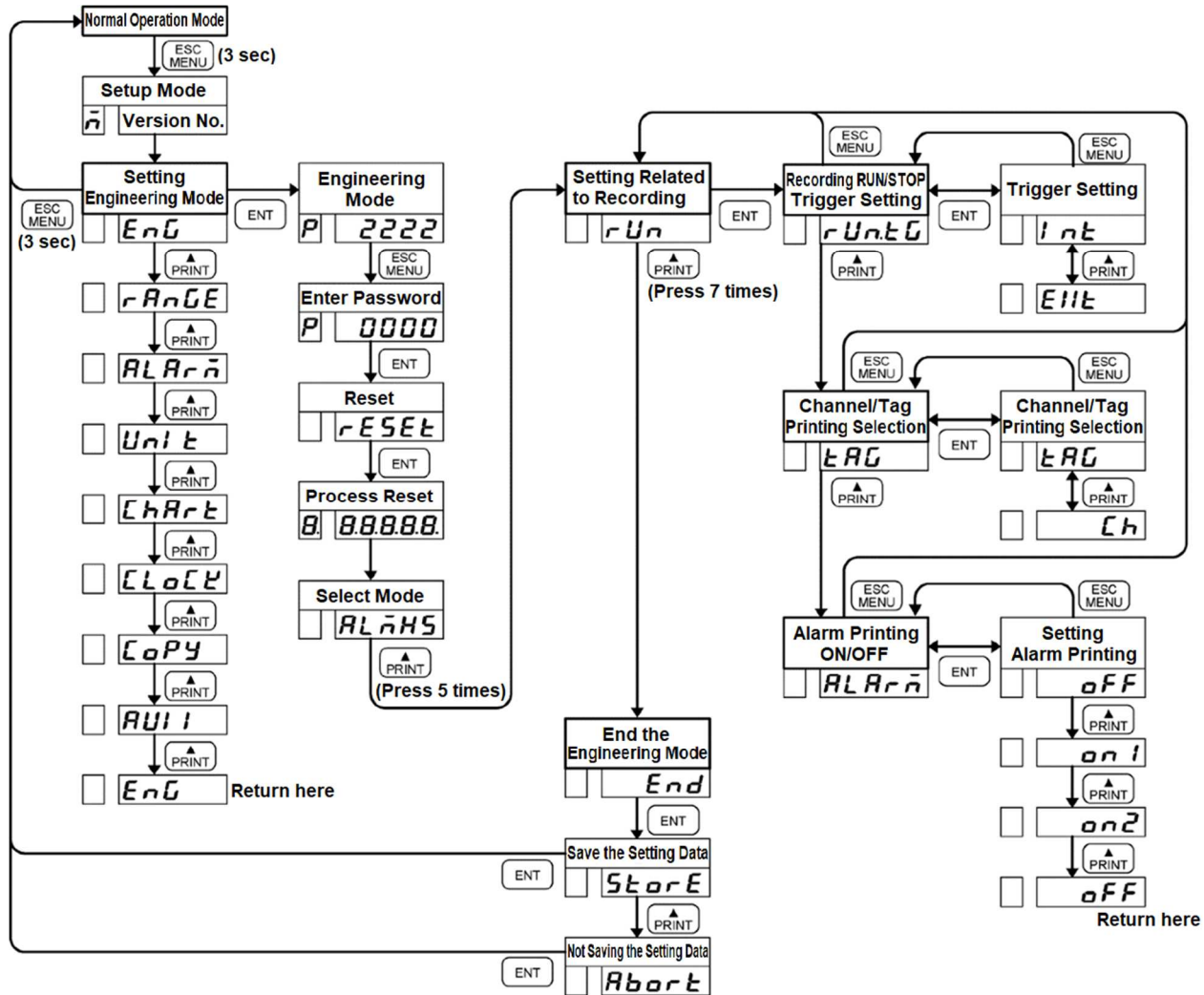
Engineering Mode : Channel Offset



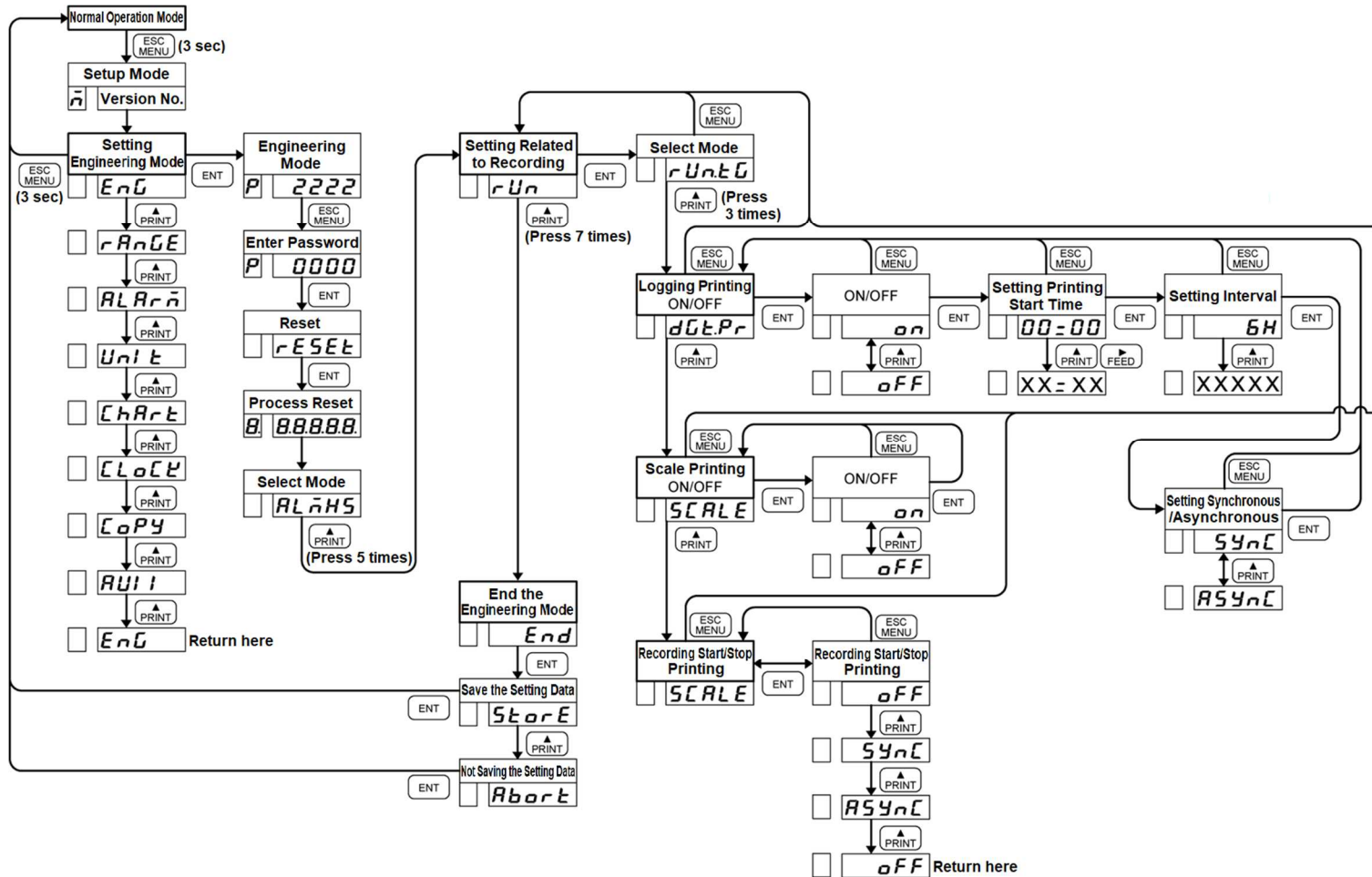
Engineering Mode : Changing the Printing Color



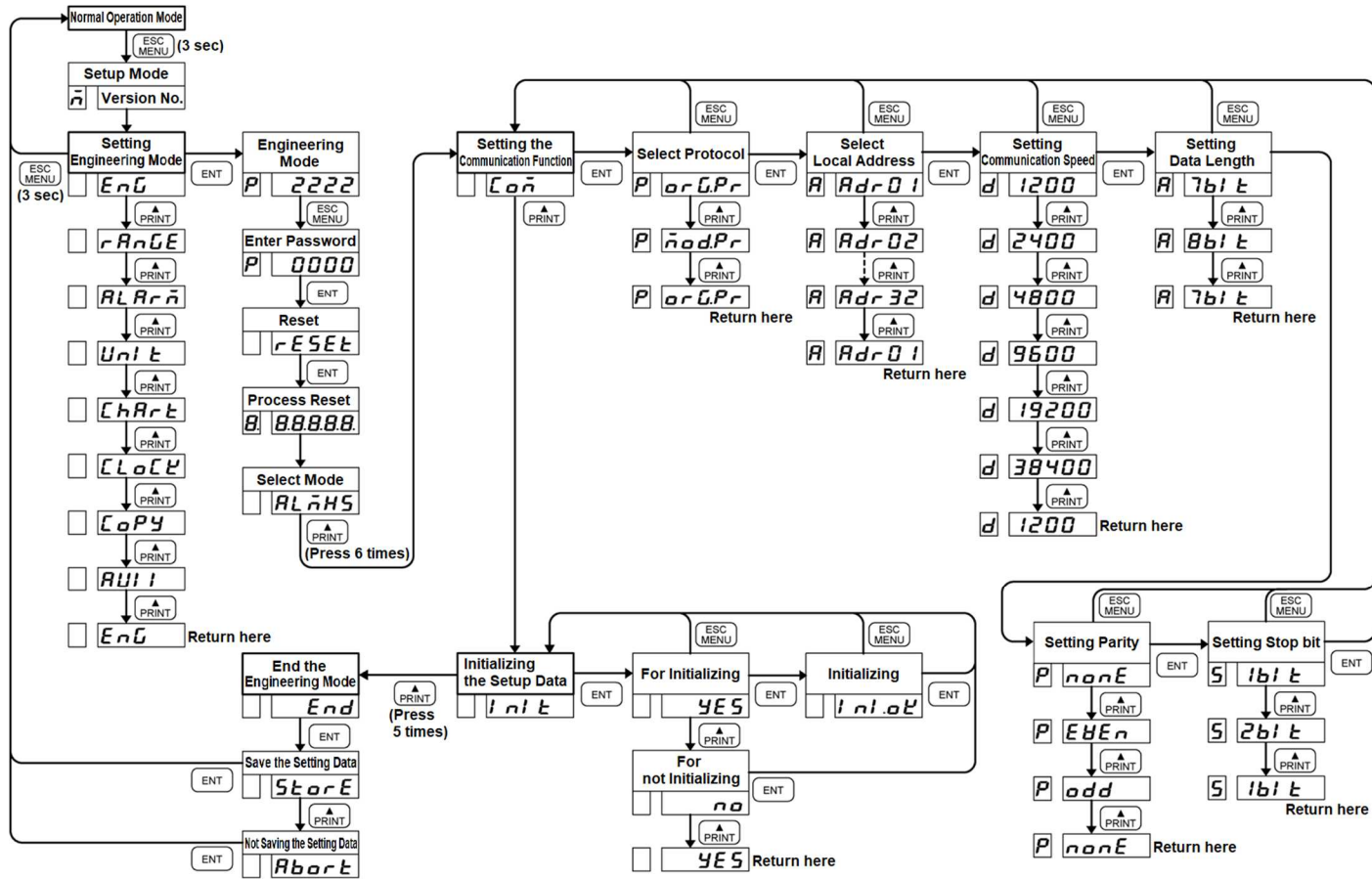
Engineering Mode : Recording RUN/STOP Trigger Setting, Channel/Tag Printing Selection, Alarm printing ON/OFF



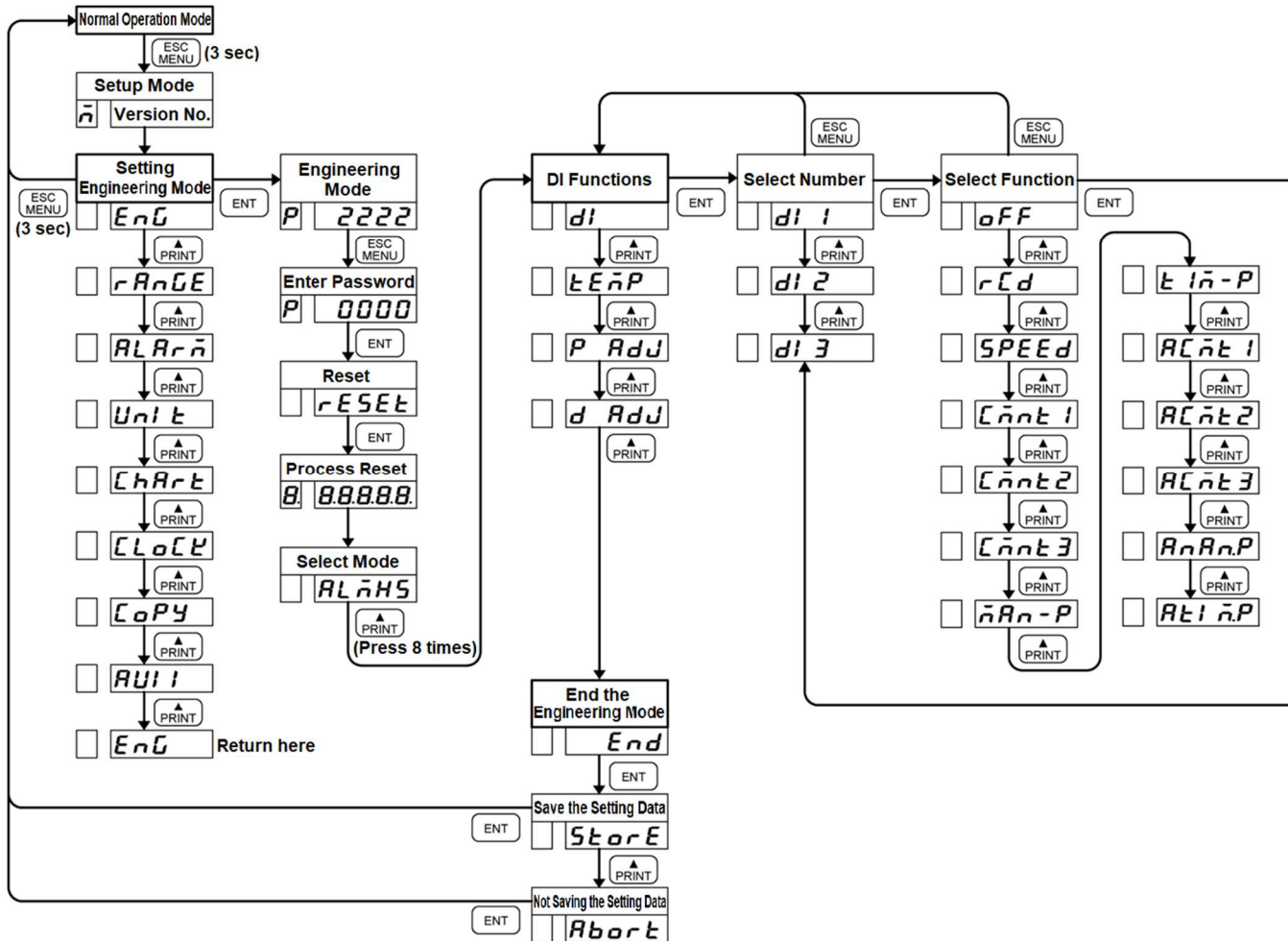
Engineering Mode : Logging printing ON/OFF, Scale printing ON/OFF, Synchronous/Asynchronous



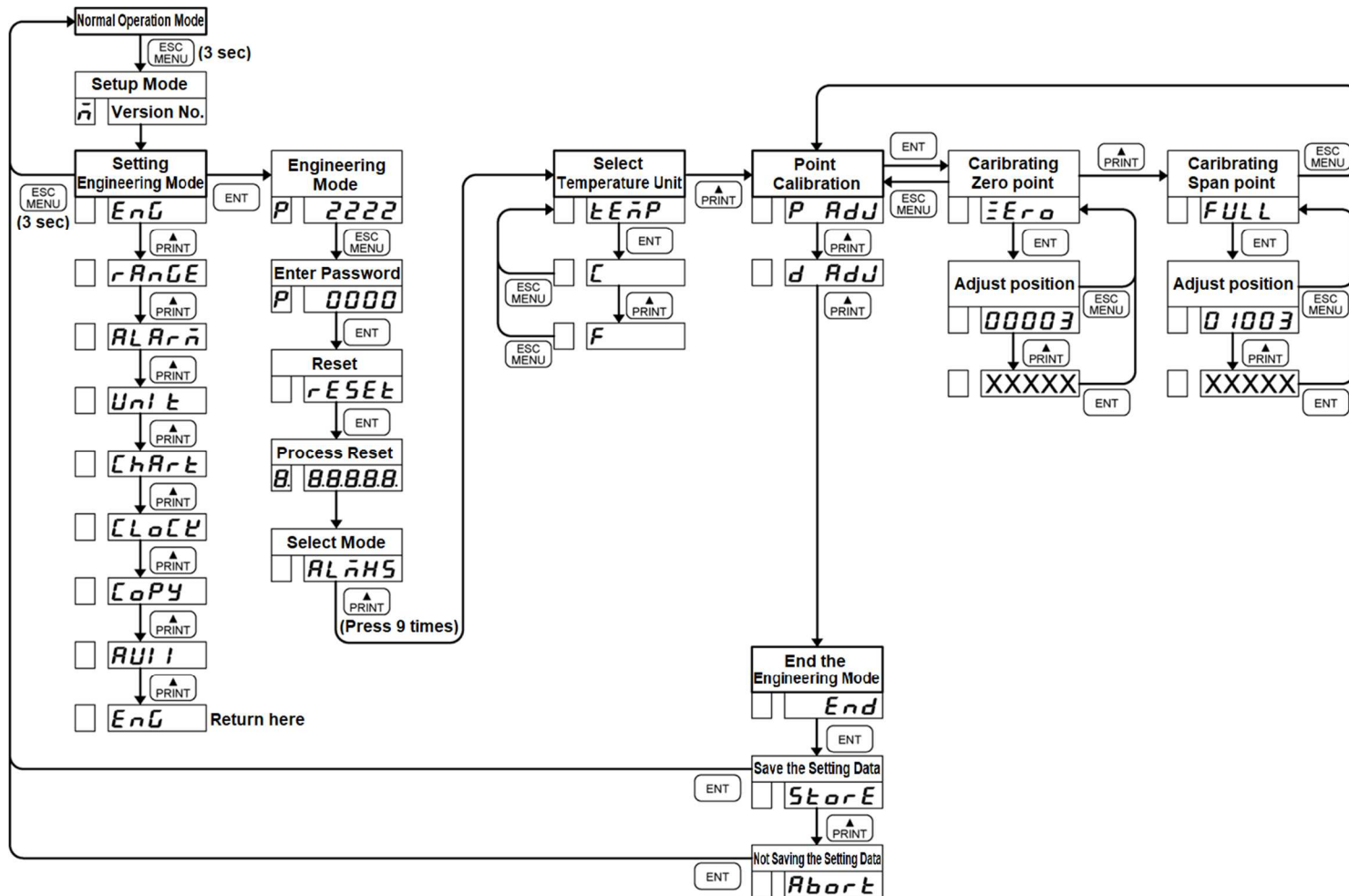
Engineering Mode : Setting the Communication Function, Initializing the Setup Data



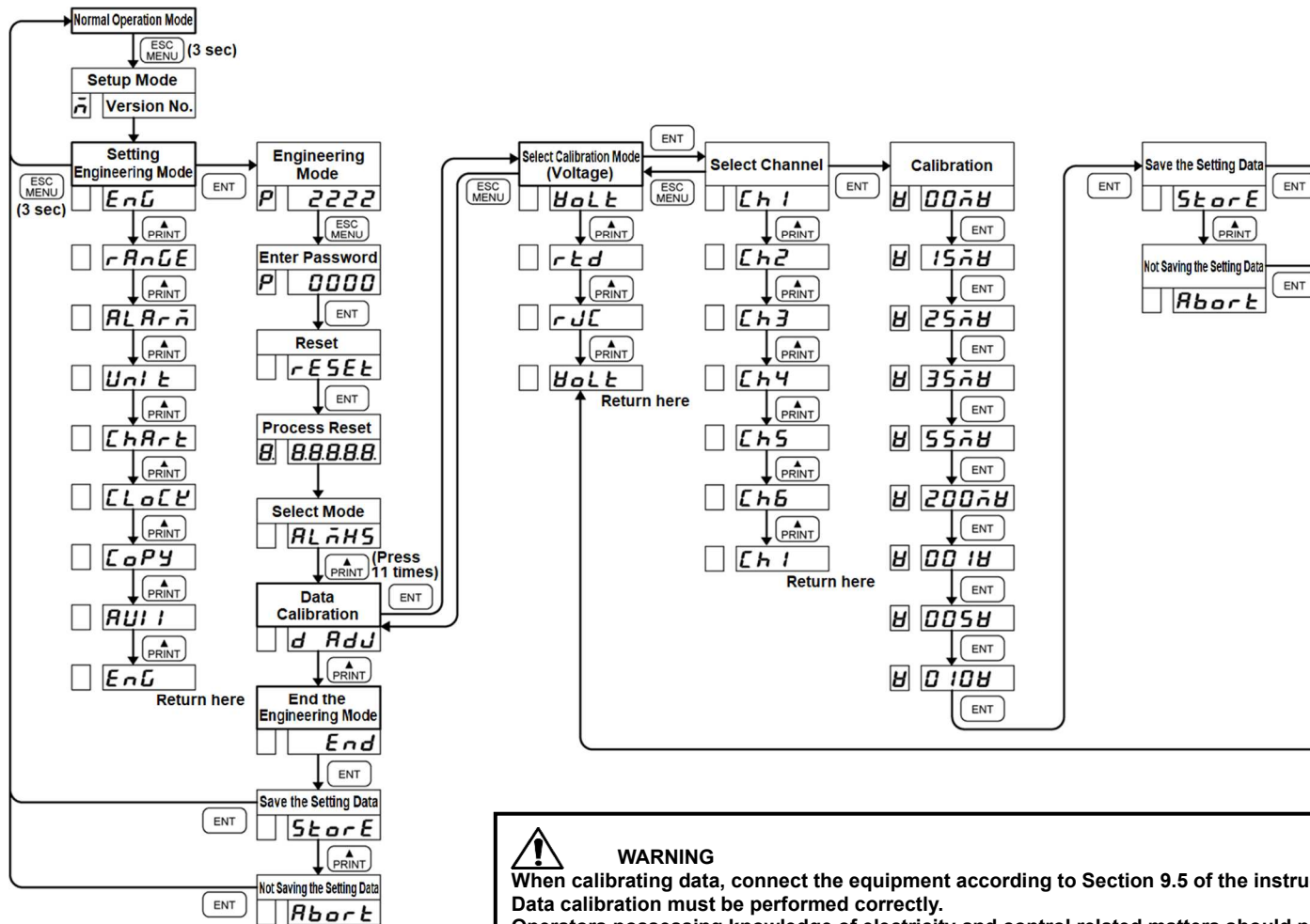
Engineering Mode : DI Functions



Engineering Mode : Temperature Unit Selection, Point Calibration



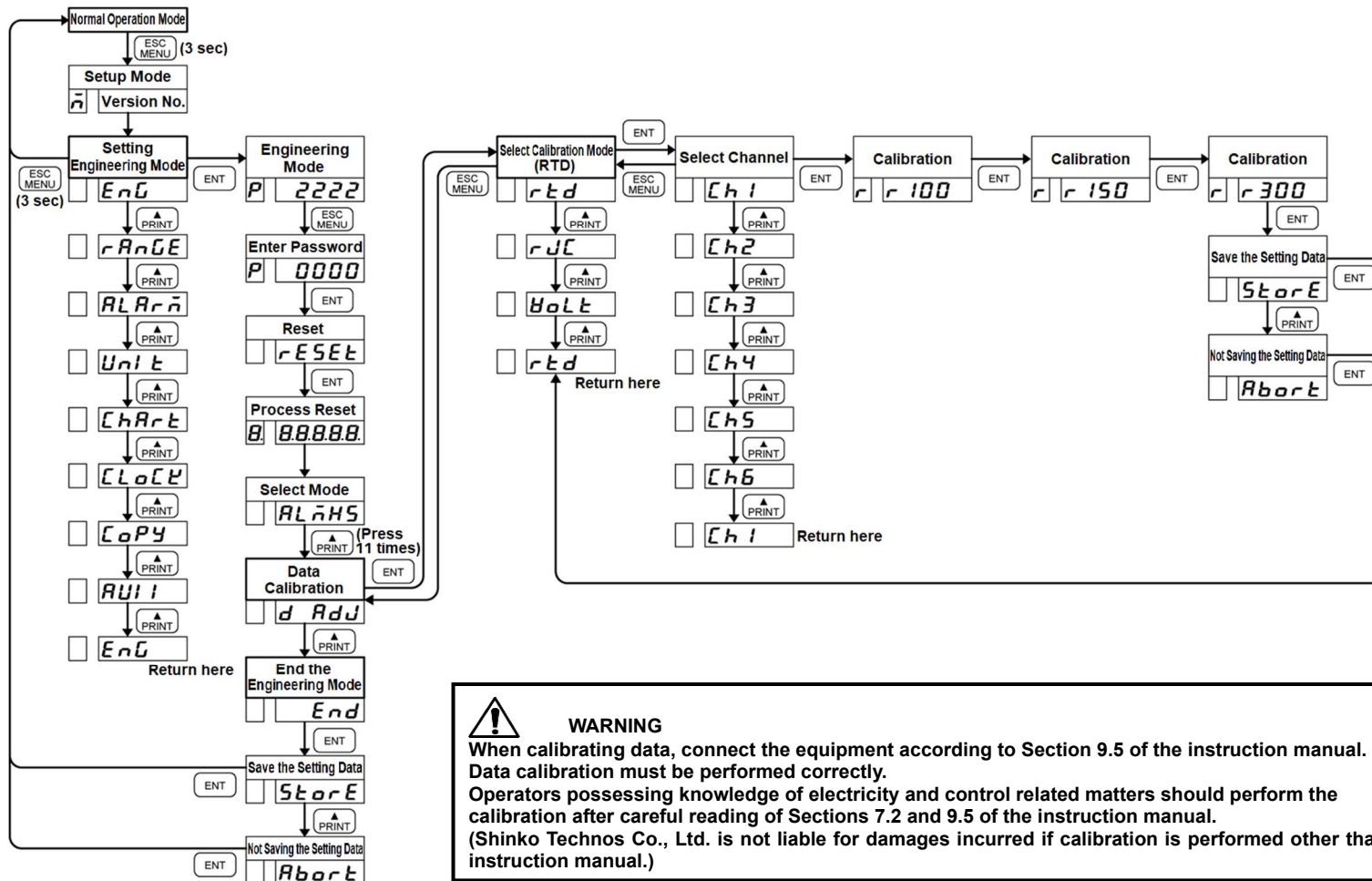
Engineering Mode : Data Calibration(Voltage)



WARNING

When calibrating data, connect the equipment according to Section 9.5 of the instruction manual. Data calibration must be performed correctly. Operators possessing knowledge of electricity and control related matters should perform the calibration after careful reading of Sections 7.2 and 9.5 of the instruction manual. (Shinko Technos Co., Ltd. is not liable for damages incurred if calibration is performed other than prescribed in the instruction manual.)

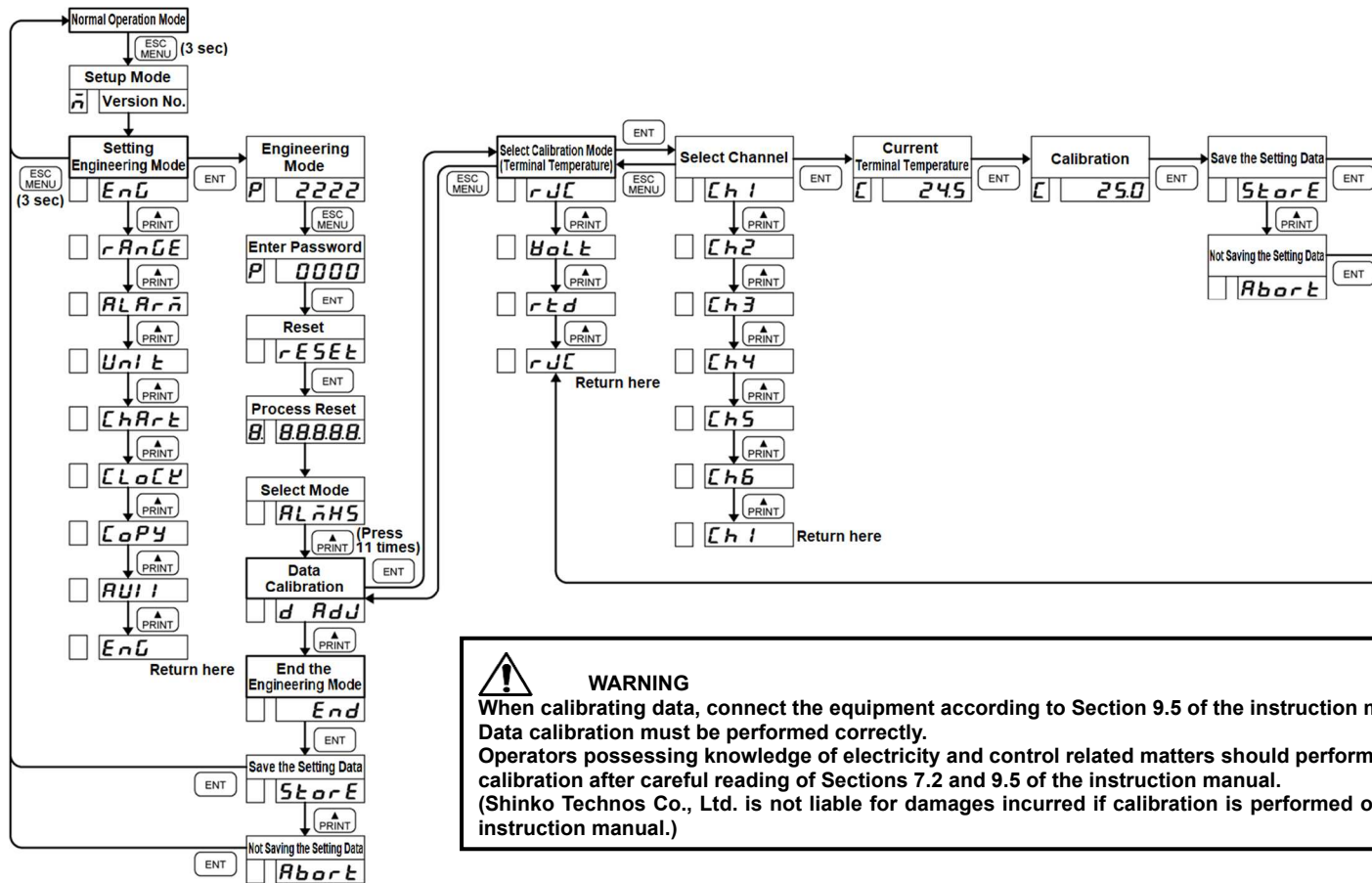
Engineering Mode : Data Calibration (Resistance temperature detector)



WARNING

When calibrating data, connect the equipment according to Section 9.5 of the instruction manual. Data calibration must be performed correctly. Operators possessing knowledge of electricity and control related matters should perform the calibration after careful reading of Sections 7.2 and 9.5 of the instruction manual. (Shinko Technos Co., Ltd. is not liable for damages incurred if calibration is performed other than prescribed in the instruction manual.)

Engineering Mode : Data Calibration (Terminal Temperature)



⚠ WARNING
 When calibrating data, connect the equipment according to Section 9.5 of the instruction manual. Data calibration must be performed correctly. Operators possessing knowledge of electricity and control related matters should perform the calibration after careful reading of Sections 7.2 and 9.5 of the instruction manual. (Shinko Technos Co., Ltd. is not liable for damages incurred if calibration is performed other than prescribed in the instruction manual.)

Default value

Setup mode

Display	Setting items	Default value	Remarks		
<i>rRAnGE</i>	Range (all channels)	-10~10mV 0~100.0			
<i>ALArñ</i>	Alarm (all channels)	All levels alarm OFF, Relay OFF			
<i>Unit</i>	Engineering unit (all channels)	°C			
<i>ChArt</i>	Chart feed speed	(1)20mm/h (2)20mm/h			
<i>CLoCl</i>	Time	2000/01/01 00:00	The present time has been set. (Japan standard time) GMT + 09:00		
<i>RUII</i>	Setting other recordings				
<i>ErEnd</i>	Dot point interval	10(sec)			
<i>zOnE</i>	Zone setting (all channels)	0~100(%)			
<i>PARt</i>	Partial compression/expansion (all channels)	OFF			
<i>tAG</i>	Tag printing character (all channels)	Blank up to the 7 th character			
<i>Cñnt</i>	Comment printing word (1 to 3)	Blank up to the 16 th character			

Engineering mode

Display	Setting items	Default value	Remarks		
<i>ALñHS</i>	Alarm hysteresis	ON(0.5%)			
<i>boUt</i>	Burnout (all channels)	OFF			
<i>oFSEt</i>	Channel offset (all channels)	0.0			
<i>rJc</i>	RJC (all channels)	Internal compensation INT			
<i>CoLoR</i>	Dot printing color (Ch1 to Ch6)	Purple(1), Red(2), Green(3), Blue(4), Brown(5), Black(6)			
<i>rUn</i>	REC (recording)				Use the "REC" key
<i>rUn.tG</i>	RUN/STOP trigger	INT			
<i>tAG</i>	Channel/Tag printing	Ch			
<i>ALArñ</i>	Alarm printing	OFF			
<i>dGt.Pr</i>	Logging printing	ON			
<i>dGt.Pr</i>	Logging printing reference time	00:00			
<i>dGt.Pr</i>	Logging printing interval	6H			
<i>SCALE</i>	Logging scale printing	OFF			
<i>dI</i>	DI function (Ch1 to Ch3)	OFF			

SHINKO TECHNOS CO., LTD.
OVERSEAS DIVISION

Head Office : 2-5-1, Senbahigashi, Minoo, Osaka, Japan

URL: <http://www.shinko-technos.co.jp/e/>

E-mail: overseas@shinko-technos.co.jp

Tel : +81-72-727-6100

Fax: +81-72-727-7006