

和文は裏面をご覧ください。

QUICK REFERENCE [Applicable model: SGAU]

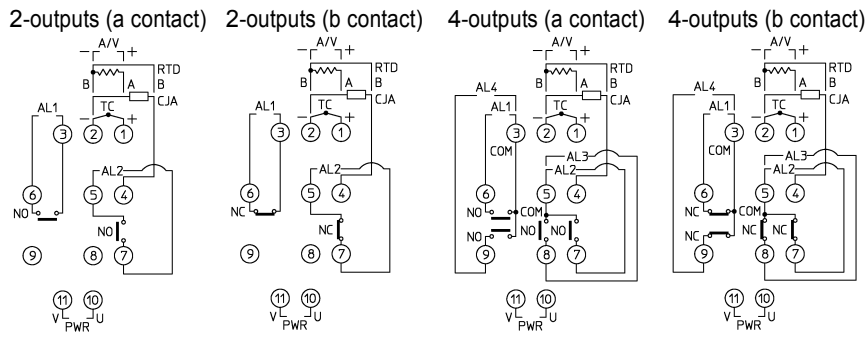
Model Name

SGAU-□□□□-0-□

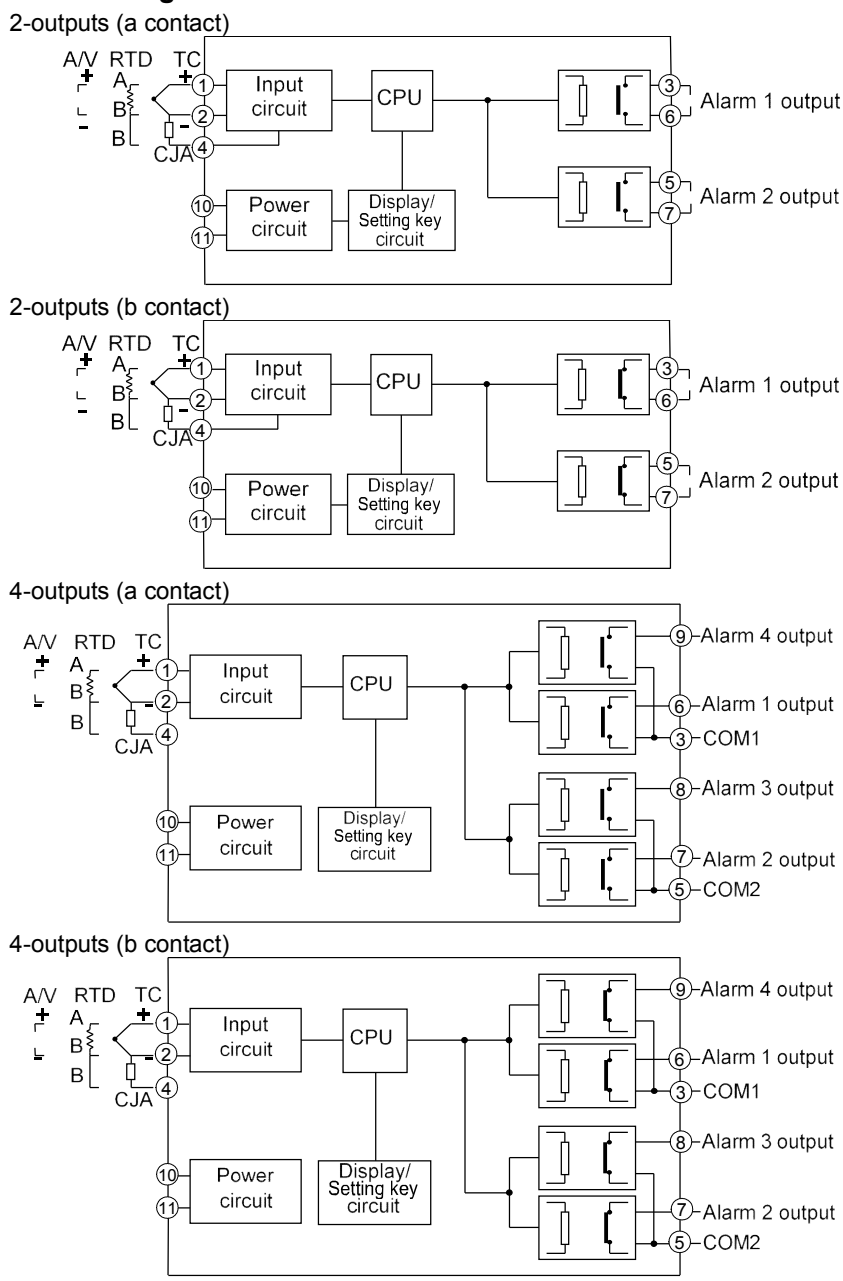
- Option
 - 0: No option needed, 2: Moisture-proof treatment
- Power supply
 - 100 to 240 V AC
- Output
 - 2A: 2-outputs (a contact) 2B: 2-outputs (b contact)
 - 4A: 4-outputs (a contact) 4B: 4-outputs (b contact)
- Input
- Series name

(For detailed input/output spec, refer to the full Instruction Manual.)

Terminal Arrangement



Circuit Configuration



No. SGAU12JE1 2018.10

Characters

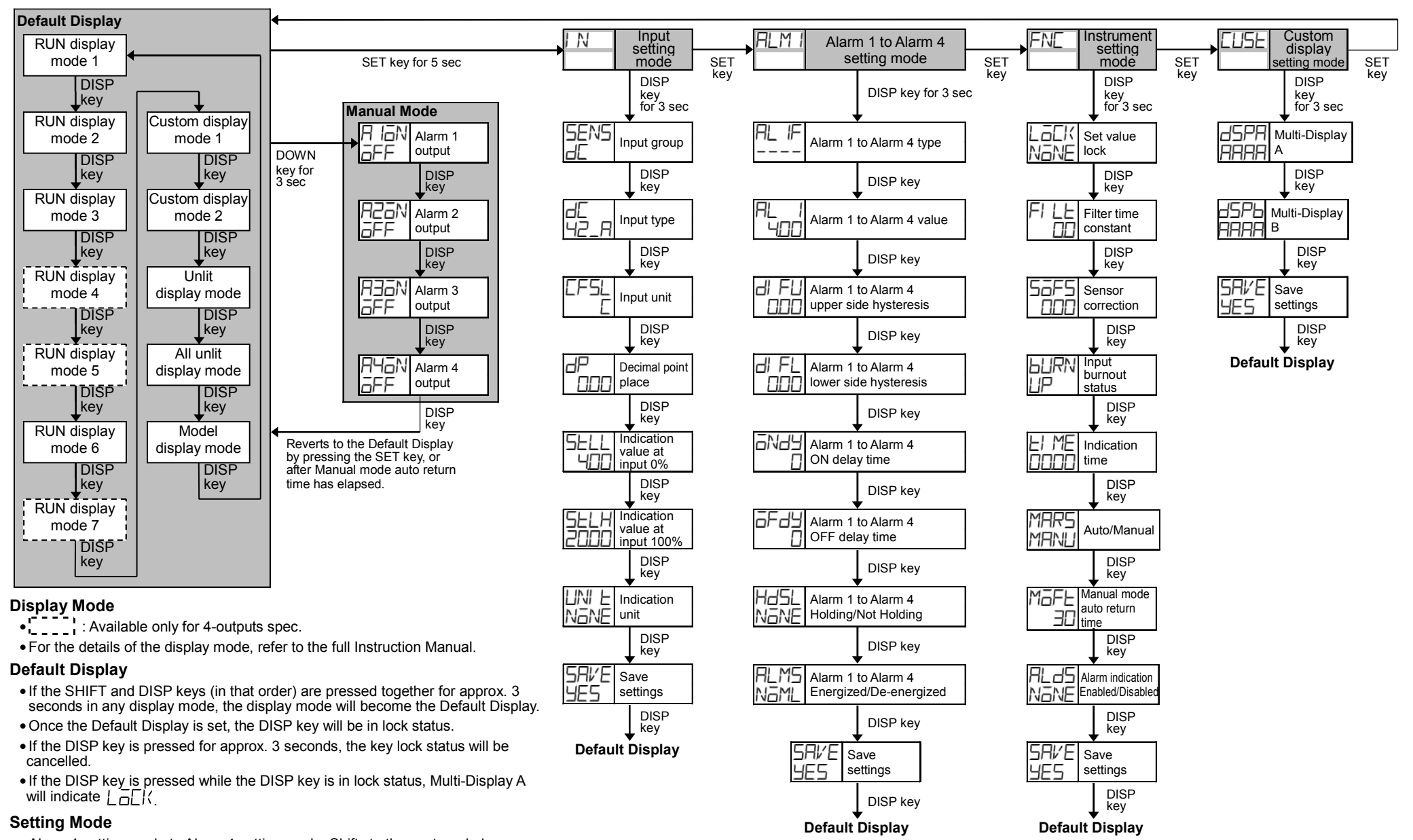
Indication	A	B	C	D	E	F	G	H	I	J	K	L	M	N	O	P	Q	R	S	T	U	V	W	X	Y	Z	-1	0	1	2	3	4	5	6	7	8	9	°C	°F
Alphanumeric, °C/°F	A	B	C	D	E	F	G	H	I	J	K	L	M	N	O	P	Q	R	S	T	U	V	W	X	Y	Z	-1	0	1	2	3	4	5	6	7	8	9	°C	°F

Selection Item List

Input group	Input type	Input unit	Save settings	Indication
dC DC input	W5 W5Re/W26Re	0 to 10 mA (100Ω shunt resistor)	YES Save	NOML Energized
tC Thermocouple input	W3 W3Re/W25Re	0 to 1 mA (1000Ω shunt resistor)	NO Not save	REVS De-energized
Pt RTD input	W4 W4Re/W24Re	0 to 5 V (Input resi. 1 MΩ)	ALM Alarm 1 to Alarm 4 type	NONE Unlock
J J -200 to 1000 °C	W5 W5Re/W26Re	0 to 10 V (Input resi. 1 MΩ)	0 No decimal point	0 1 digit after point
J 2C J -200 to 200 °C	W3 W3Re/W25Re	1 to 5 V (Input resi. 1 MΩ)	00 2 digits after point	000 3 digits after point
J 4C J 0 to 400 °C	W3 W3Re/W25Re	1 to 5 V (Input resi. 1 MΩ)	NONE No unit	PER %
R R -50 to 1760 °C	W3 W3Re/W25Re	0 to 10 V (Input resi. 1 MΩ)	MA mA	HOLD Holding
S S -50 to 1760 °C	W3 W3Re/W25Re	-5 to 5 V (Input resi. 1 MΩ)	WALT V	ALM Alarm 1 to Alarm 4
b B 0 to 1820 °C	W3 W3Re/W25Re	0 to 10 V (Input resi. 1 MΩ)	CELS °C	Energized/De-energized
E E -200 to 800 °C	W3 W3Re/W25Re	-10 to 10 V (Input resi. 1 MΩ)		NONE Disabled

(Abbreviation: Input resi.: Input resistance)

Key Operation Flowchart



Display Mode

- Available only for 4-outputs spec.
- For the details of the display mode, refer to the full Instruction Manual.

Default Display

- If the SHIFT and DISP keys (in that order) are pressed together for approx. 3 seconds in any display mode, the display mode will become the Default Display.
- Once the Default Display is set, the DISP key will be in lock status.
- If the DISP key is pressed for approx. 3 seconds, the key lock status will be cancelled.
- If the DISP key is pressed while the DISP key is in lock status, Multi-Display A will indicate LOCK.

Setting Mode

- Alarm 1 setting mode to Alarm 4 setting mode: Shifts to the next mode by pressing the SET key.
- Alarm 3 setting mode and Alarm 4 setting mode are available for 4-outputs spec.
- If the SET key is pressed for approx. 5 seconds in each setting mode, the unit will move to the Default Display.