

和文は裏面をご覧ください。

# QUICK REFERENCE [Applicable model: SGB, SGBW, SGBL]

No.SGB12JE1 2018.10

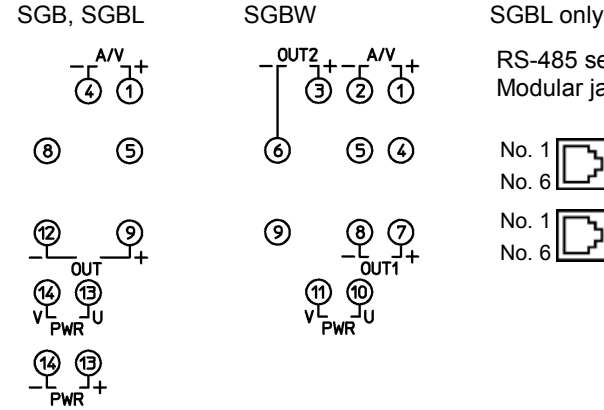
## Model Name

SGB □ - □ □ □ - □ □

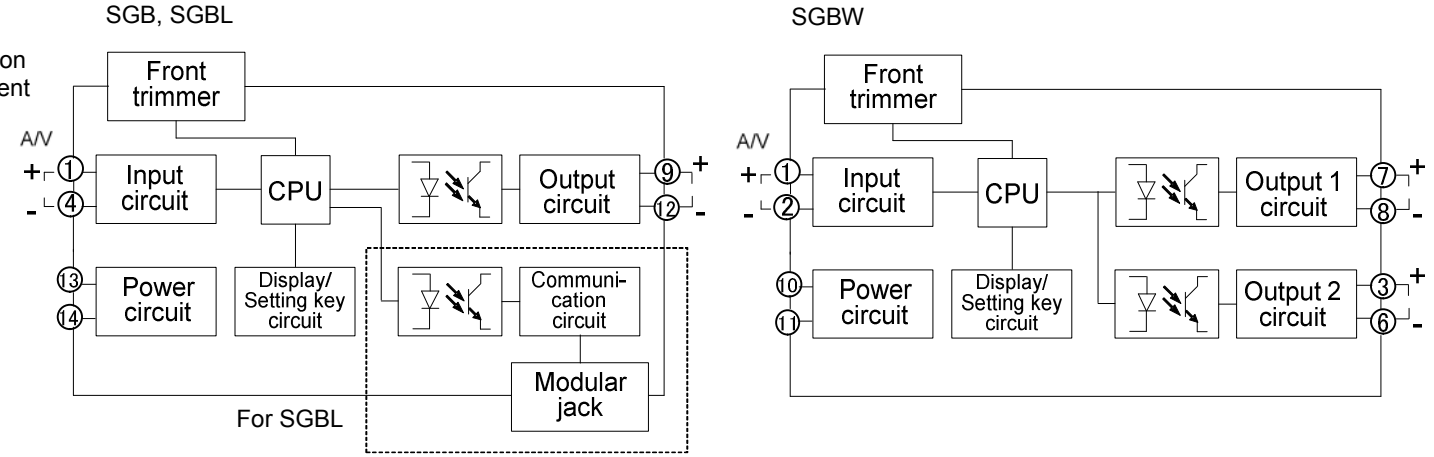
- Option  
 0: No option needed, 1: Multi-rotation trimmer  
 2: Moisture-proof treatment  
 3: Multi-rotation trimmer+Moisture-proof treatment
- Power supply  
 0: 100 to 240 V AC, 1: 24 V AC/DC\*2
- Output 2<sup>1</sup>  
 Output 2<sup>2</sup>, Output 1<sup>1</sup>
- Input
- Series name  
 SGB: 1-output, SGBW: 2-outputs  
 SGBL: 1-output + Serial communication

\*1: For SGBW only  
 \*2: For SGB, SGBL only  
 (For detailed input/output spec, refer to the full Instruction Manual.)

## Terminal Arrangement



## Circuit Configuration



## Characters

Indication	4	0	1	2	3	4	5	6	7	8	9	C	F
Number, °C/°F	-1	0	1	2	3	4	5	6	7	8	9	°C	°F
Indication	A	B	C	D	E	F	G	H	I	J	K	L	M
Alphabet	A	B	C	D	E	F	G	H	I	J	K	L	M
Indication	N	O	P	Q	R	S	T	U	V	W	X	Y	Z
Alphabet	N	O	P	Q	R	S	T	U	V	W	X	Y	Z

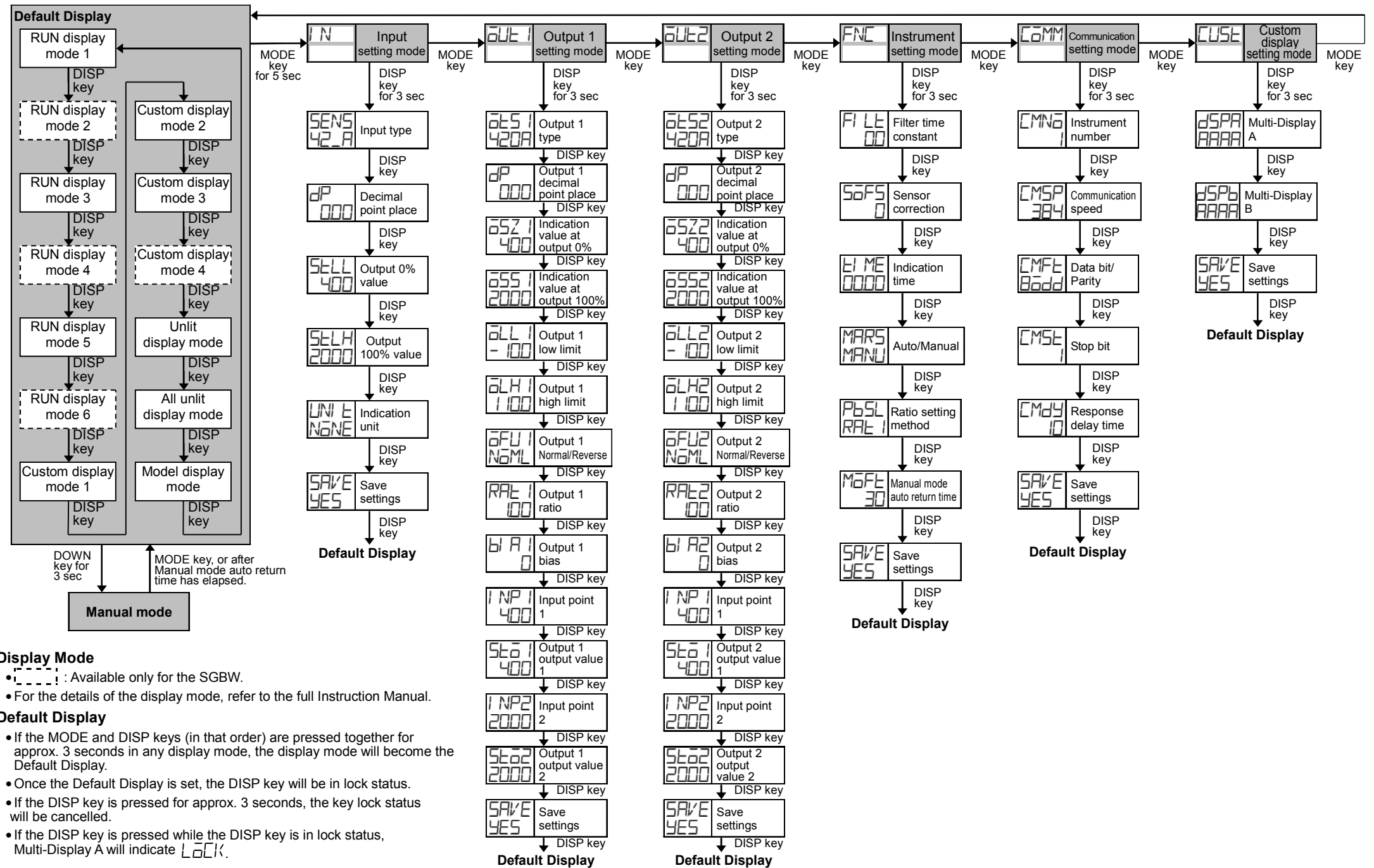
## Selection Item List

Input type	Decimal point place	Communication speed
42_A	4 to 20 mA (Built-in 50 Ω shunt resistor)	96 9600 bps
42_I	4 to 20 mA (250Ω shunt resistor)	192 19200 bps
42_2	4 to 20 mA (50 Ω shunt resistor)	384 38400 bps
020A	0 to 20 mA (250Ω shunt resistor)	8 bits/No parity
016A	0 to 16 mA (62.5Ω shunt resistor)	8 bits/Even
210A	2 to 10 mA (250Ω shunt resistor)	8 bits/Odd
010A	0 to 10 mA (100Ω shunt resistor)	1 bit
15A	1 to 5 mA (100Ω shunt resistor)	2 bits
01A	0 to 1 mA (1000Ω shunt resistor)	
1050	10 to 50 mA (10 Ω shunt resistor)	
01mV	0 to 10 mV (Input resi. 1 MΩ)	
05mV	0 to 50 mV (Input resi. 1 MΩ)	
06mV	0 to 60 mV (Input resi. 1 MΩ)	
00V	0 to 100 mV (Input resi. 1 MΩ)	
01V	0 to 1 V (Input resi. 1 MΩ)	
05V	0 to 5 V (Input resi. 1 MΩ)	
15V	1 to 5 V (Input resi. 1 MΩ)	
-55V	-5 to 5 V (Input resi. 1 MΩ)	
010V	0 to 10 V (Input resi. 1 MΩ)	
-10V	-10 to 10 V (Input resi. 1 MΩ)	

(Abbreviation: Input resi.: Input resistance)

※1 Not available for the SGBW.

## Key Operation Flowchart



### Display Mode

- Available only for the SGBW.
- For the details of the display mode, refer to the full Instruction Manual.

### Default Display

- If the MODE and DISP keys (in that order) are pressed together for approx. 3 seconds in any display mode, the display mode will become the Default Display.
- Once the Default Display is set, the DISP key will be in lock status.
- If the DISP key is pressed for approx. 3 seconds, the key lock status will be cancelled.
- If the DISP key is pressed while the DISP key is in lock status, Multi-Display A will indicate **LOCK**.

### Setting Mode

- Output 2 setting mode is available only for the SGBW.
- Communication setting mode is available only for the SGBL.
- If the MODE key is pressed for approx. 5 seconds in each setting mode, the unit will move to the Default Display.