

和文は裏面をご覧ください。

# QUICK REFERENCE [Applicable model: SGC, SGCW, SGCL]

No. SGC12JE1 2018.10

## Model Name

SGC □ - □ □ □ - □ - □

- Option
- 0: No option needed, 1: Multi-rotation trimmer
  - 2: Moisture-proof treatment
  - 3: Multi-rotation trimmer+Moisture-proof treatment
- Power supply
- 0: 100 to 240 V AC, 1: 24 V AC/DC<sup>\*2</sup>
- Output 2<sup>\*1</sup>
- Output 2<sup>\*1</sup>, Output 1<sup>\*1</sup>
- Input
- Series name
- SGC: 1-output, SGCW: 2-outputs
  - SGCL: 1-output + Serial communication

\*1: For SGCW only  
\*2: For SGC, SGCL only  
(For detailed input/output spec, refer to the full Instruction Manual.)

## Characters

Indication	4	0	1	2	3	4	5	6	7	8	9	C	F
Number, °C/°F	-1	0	1	2	3	4	5	6	7	8	9	°C	°F
Indication	A	B	C	D	E	F	G	H	I	J	K	L	M
Alphabet	A	B	C	D	E	F	G	H	I	J	K	L	M
Indication	N	O	P	Q	R	S	T	U	V	W	X	Y	Z
Alphabet	N	O	P	Q	R	S	T	U	V	W	X	Y	Z

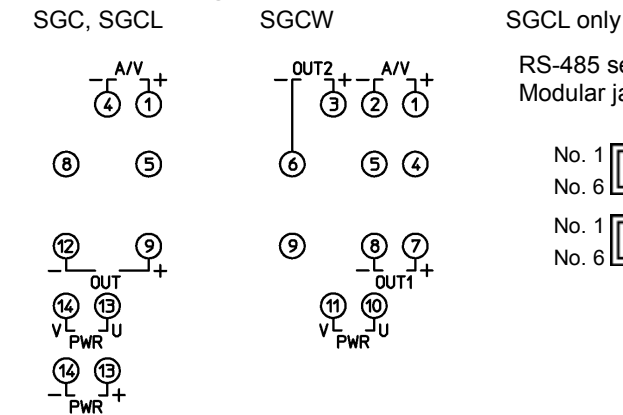
## Selection Item List

Input type	Decimal point place	384	38400 bps
42_A	4 to 20 mA (Built-in 50 Ω shunt resistor)	No decimal point	Data bit/Parity
		1 digit after point	8 bits/No parity
42_1	4 to 20 mA (250Ω shunt resistor)	2 digits after point	8 bits/Even
		3 digits after point	8 bits/Odd
42_2	4 to 20 mA (50 Ω shunt resistor)	Indication unit	Stop bit
		No unit	1 bit
020A	0 to 20 mA (250Ω shunt resistor)	PER	%
		MA	mA
016A	0 to 16 mA (62.5Ω shunt resistor)	VOL	V
		CELS	°C
210A	2 to 10 mA (250Ω shunt resistor)	Save settings	
		YES	Save
		NO	Not save
010A	0 to 10 mA (100Ω shunt resistor)	Output 1, Output 2 type	
		420A	4 to 20 mA
		020A	0 to 20 mA
15A	1 to 5 mA (100Ω shunt resistor)	016A	0 to 16 mA
		210A	2 to 10 mA
01A	0 to 1 mA (1000Ω shunt resistor)	010A	0 to 10 mA
		01mV	0 to 10 mV
01050	10 to 50 mA (10 Ω shunt resistor)	01V	0 to 1 V
		001V	0 to 100 mV
01mV	0 to 10 mV (Input resi. 1 MΩ)	05V	0 to 5 V
		15V	1 to 5 V
05mV	0 to 50 mV (Input resi. 1 MΩ)	010V	0 to 10 V
		-55V	-5 to 5 V <sup>*1</sup>
001V	0 to 100 mV (Input resi. 1 MΩ)	Output 1,2 decimal point place	
			No decimal point
01V	0 to 1 V (Input resi. 1 MΩ)		1 digit after point
			2 digits after point
05V	0 to 5 V (Input resi. 1 MΩ)		3 digits after point
		Output 1,2 Normal/Reverse	
		NOML	Normal
		REVS	Reverse
15V	1 to 5 V (Input resi. 1 MΩ)	Auto/Manual	
		AUTO	Auto
		MANU	Manual
010V	0 to 10 V (Input resi. 1 MΩ)	Communication speed	
		96	9600 bps
		192	19200 bps

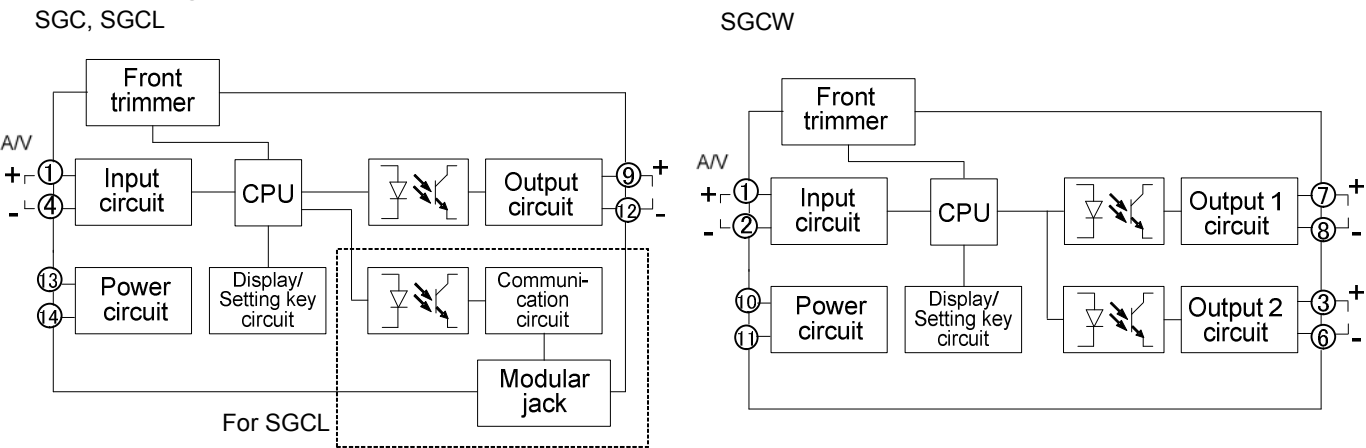
(Abbreviation: Input resi.: Input resistance)

※1 Not available for the SGCW.

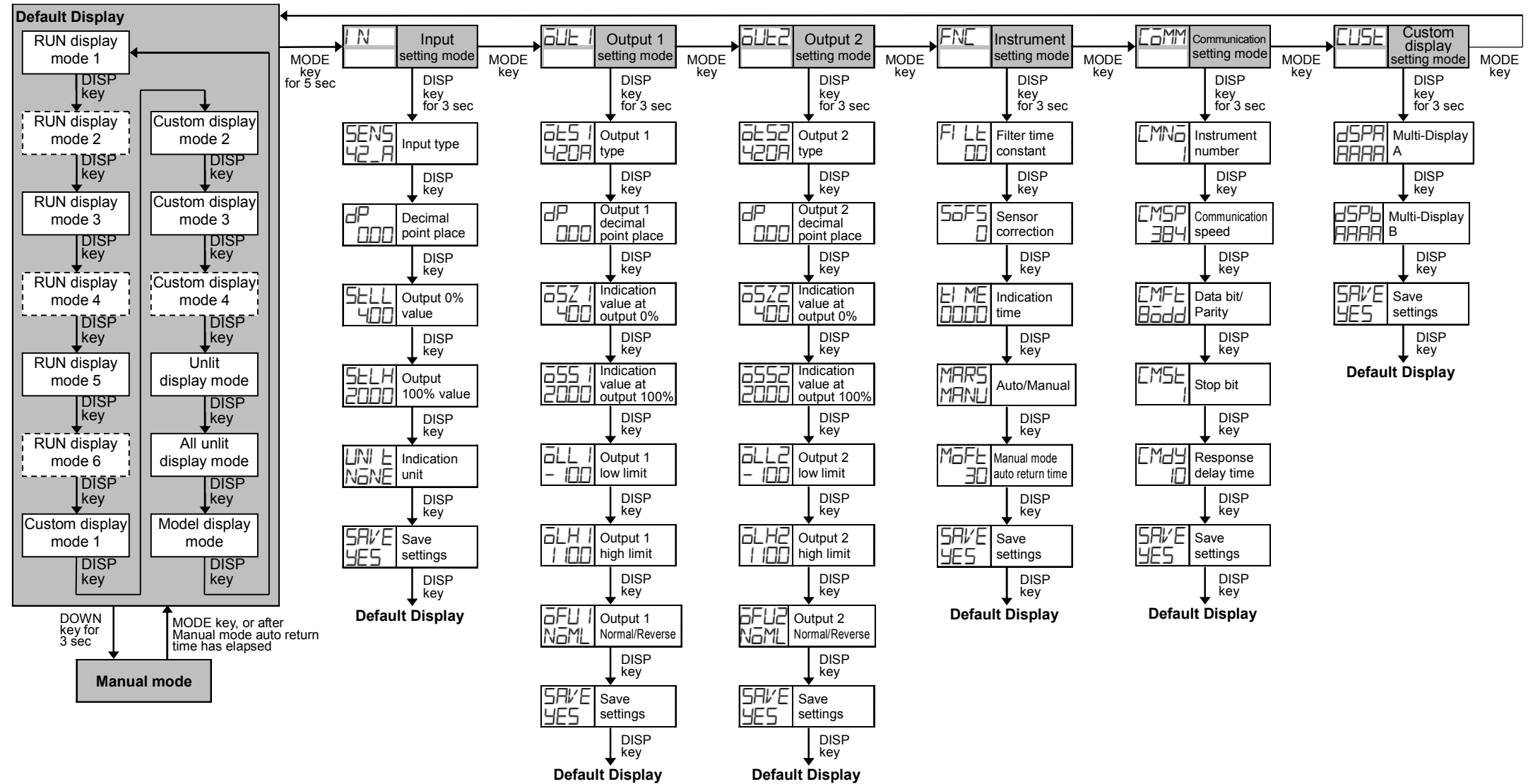
## Terminal Arrangement



## Circuit Configuration



## Key Operation Flowchart



### Display Mode

- Available only for the SGCW.
- For the details of the display mode, refer to the full Instruction Manual.

### Default Display

- If the MODE and DISP keys (in that order) are pressed together for approx. 3 seconds in any display mode, the display mode will become the Default Display.
- Once the Default Display is set, the DISP key will be in lock status.
- If the DISP key is pressed for approx. 3 seconds, the key lock status will be cancelled.
- If the DISP key is pressed while the DISP key is in lock status, Multi-Display A will indicate LOCK.

### Setting Mode

- Output 2 setting mode is available only for the SGCW.
- Communication setting mode is available only for the SGCL.
- If the MODE key is pressed for approx. 5 seconds in each setting mode, the unit will move to the Default Display.