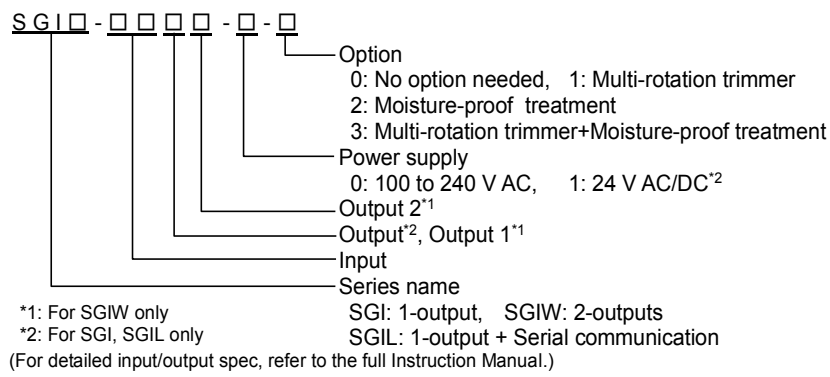
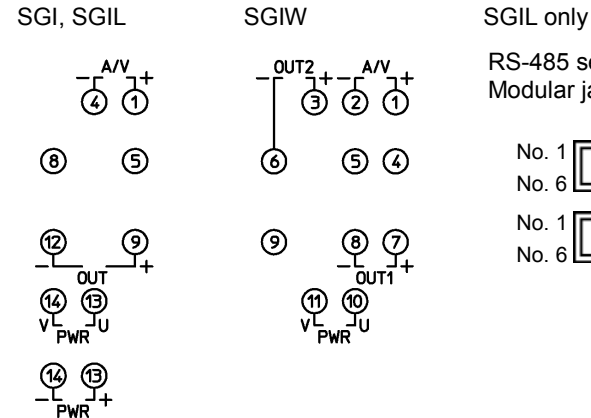


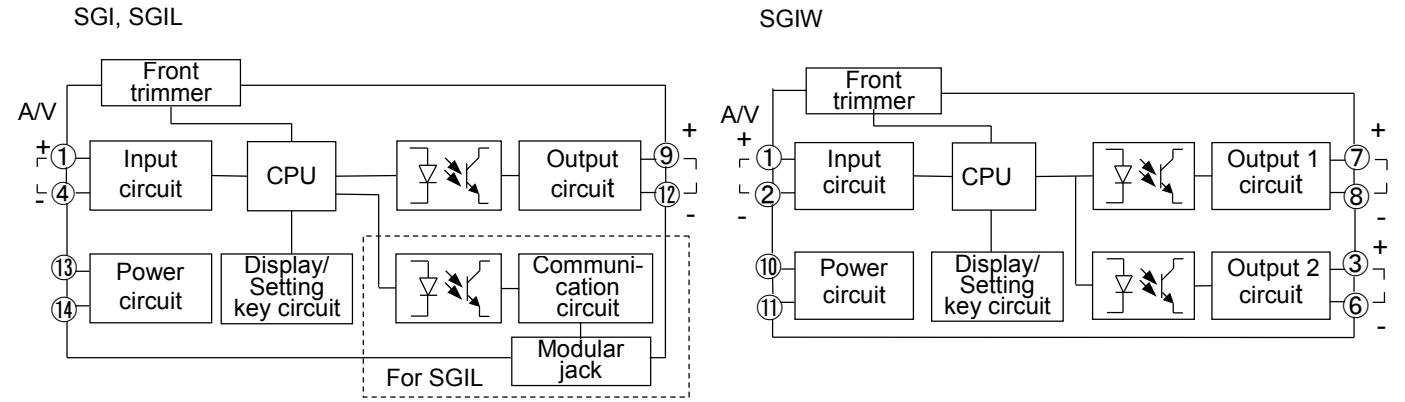
Model Name



Terminal Arrangement



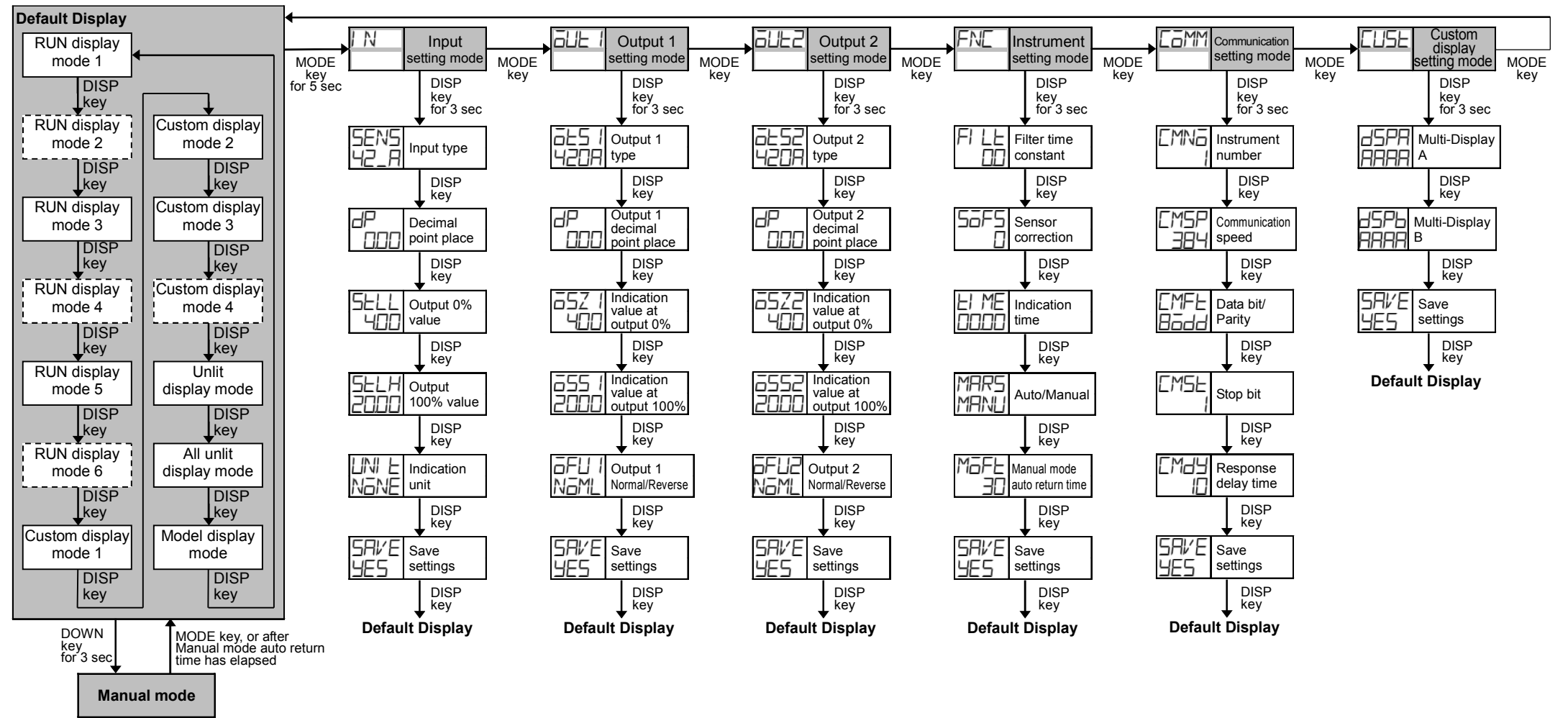
Circuit Configuration



Characters

Indication	4	0	1	2	3	4	5	6	7	8	9	C	F
Number, °C/°F	-1	0	1	2	3	4	5	6	7	8	9	°C	°F
Indication	A	B	C	D	E	F	G	H	I	J	K	L	M
Alphabet	A	B	C	D	E	F	G	H	I	J	K	L	M
Indication	N	O	P	Q	R	S	T	U	V	W	X	Y	Z
Alphabet	N	O	P	Q	R	S	T	U	V	W	X	Y	Z

Key Operation Flowchart



Selection Item List

Input type	Data bit/Parity
42_A	4 to 20 mA (Built-in 50 Ω shunt resistor) 8 bits/No parity
42_I	4 to 20 mA (250 Ω shunt resistor) 8 bits/Even
42_2	4 to 20 mA (50 Ω shunt resistor) 8 bits/Odd
1_5V	1 to 5 V (Input resi. 1 MΩ) Stop bit
Decimal point place	
□	No decimal point
□□	1 digit after point
□□□	2 digits after point
□□□□	3 digits after point
Indication unit	
NONE	No unit
PER	%
mA	mA
V	V
°C	°C
Save settings	
YES	Save
NO	Not save
Output 1, Output 2 type	
420A	4 to 20 mA
1_5V	1 to 5 V
Output 1,2 decimal point place	
□	No decimal point
□□	1 digit after point
□□□	2 digits after point
□□□□	3 digits after point
Output 1,2 Normal/Reverse	
NAML	Normal
REVS	Reverse
Auto/Manual	
AUTO	Auto
MANU	Manual
Communication speed	
96	9600 bps
192	19200 bps
384	38400 bps

Display Mode

- Available only for the SGIW.
- For the details of the display mode, refer to the full Instruction Manual.

Default Display

- If the **MODE** and **DISP** keys (in that order) are pressed together for approx. 3 seconds in any display mode, the display mode will become the Default Display.
- Once the Default Display is set, the **DISP** key will be in lock status.
- If the **DISP** key is pressed for approx. 3 seconds, the key lock status will be cancelled.
- If the **DISP** key is pressed while the **DISP** key is in lock status, Multi-Display A will indicate **LOCK**.

Setting Mode

- Output 2 setting mode is available only for the SGIW.
- Communication setting mode is available only for the SGIL.
- If the **MODE** key is pressed for approx. 5 seconds in each setting mode, the unit will move to the Default Display.