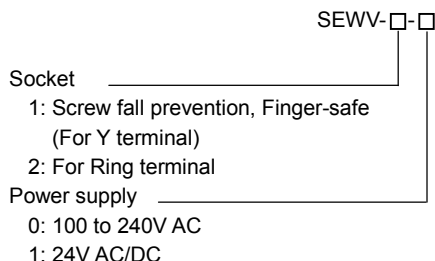


2-output Isolator (With Indication Function)

Model: **SEWV**

■ **Model**



■ **How to Order**

Specify a model. (e.g.) SEWV-1-0

Factory Default Value

Input	1 to 5V DC
Output 1	4 to 20mA DC
Output 2	4 to 20mA DC

■ **Accessories (Sold Separately)**

Communication cable to connect console software: CMB-001

■ **Input Specifications**

DC Voltage

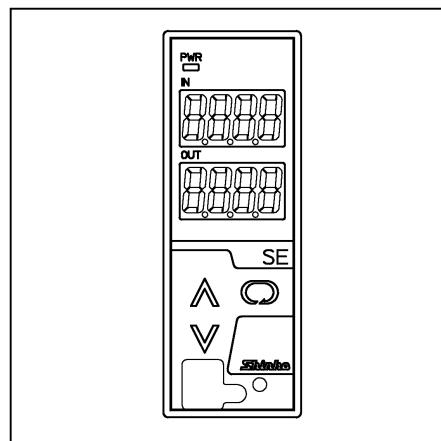
Input range	Input resistance	Allowable signal source resistance
0 to 10mV DC	1MΩ	20Ω or less
-10 to 10mV DC		40Ω or less
0 to 50mV DC		200Ω or less
0 to 60mV DC		
0 to 100mV DC		2kΩ or less
0 to 1V DC		
0 to 5V DC		
1 to 5V DC		
0 to 10V DC		

■ **Output Specifications**

When the output range lower limit is zero, (even if zero adjustment results in a negative value), the output value will not be negative.

DC Current

Output range	Allowable load resistance	Zero adjustment range	Span adjustment range
4 to 20mA DC	700Ω or less	-5 to 5%	95 to 105%
0 to 20mA DC	700Ω or less	0 to 5%	95 to 105%
0 to 12mA DC	1.2kΩ or less	0 to 5%	95 to 105%
0 to 10mA DC	1.2kΩ or less	0 to 5%	95 to 105%
1 to 5mA DC	2.4kΩ or less	-5 to 5%	95 to 105%



DC Voltage

Output range	Allowable load resistance	Zero adjustment range	Span adjustment range
0 to 1V DC	100Ω or more	0 to 5%	95 to 105%
0 to 5V DC	500Ω or more	0 to 5%	95 to 105%
1 to 5V DC	500Ω or more	-5 to 5%	95 to 105%
0 to 10V DC	1kΩ or more	0 to 5%	95 to 105%

■ **Performance**

Accuracy: (at 23°C of ambient temperature)

- Input: Within ±0.1%
- Output: Within ±0.1%

Indication accuracy: Within Input accuracy ±1 digit

Input sampling period: 25ms, 125ms, 250ms

(Selectable by the keypad)

Response time: (Selectable by the keypad)

65ms (typ.) (0→90%) (Input sampling period: 25ms)

225ms (typ.) (0→90%) (Input sampling period: 125ms)

425ms (typ.) (0→90%) (Input sampling period: 250ms)

Temperature coefficient: ±0.015%/°C or less

Insulation resistance: 10MΩ or more, at 500V DC

(Input - Output - Power)

Dielectric strength: 2.0kV AC for 1 minute

(Input - Output - Power)

■ **General Structure**

Case: Flame-resistant resin Color: Light gray

Front panel: Membrane sheet

Setting: Using front keypad

Connector for console software: Only CMB-001 cable usable

Displays and indicators:

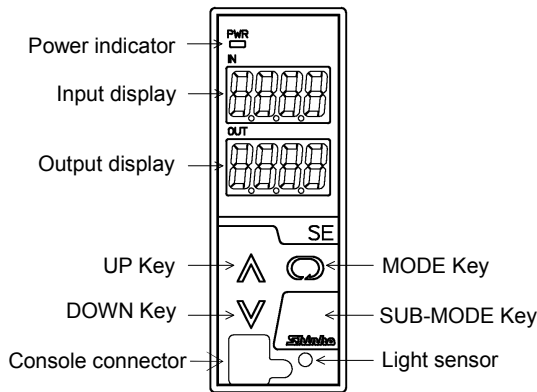
Input display: 7-segment Red LED display 4-digit,

Character size: 10 x 4.6mm (H x W)

Output display: 7-segment Red LED display 4-digit,

Character size: 10 x 4.6mm (H x W)

Power indicator: Green LED



■ Installation Specifications

- Power supply: 100 to 240V AC 50/60Hz
24V AC/DC 50/60Hz
- Allowable voltage range: 85 to 264V AC, 20 to 28V AC/DC
- Power consumption: Approx. 8VA
- Ambient temperature: -5 to 55°C
- Ambient humidity: 35 to 85%RH (non-condensing)
- Weight: Approx. 190g (including socket)
- Mounting: DIN rail
- Dimensions: W30 x H88 x D108mm (including socket)

■ Attached Functions

- Light sensor: Automatically measures and controls brightness of the displays, saving energy.
- Power failure countermeasure:
The data is backed up in non-volatile IC memory.
- Self diagnosis: The CPU is monitored by a watchdog timer, and when an abnormal status is found on the CPU, the unit is switched to warm-up status turning all outputs OFF.

■ Environmental Specification

RoHS directive compliance

■ Settings

Function Keys

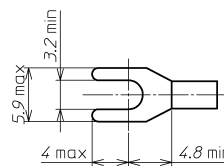
- UP Key: Increases numeric value.
- DOWN Key: Decreases numeric value.
- MODE Key: Selects a setting mode.
- SUB-MODE Key: Lights the displays again when in unlit status.

■ Displays and Indicators

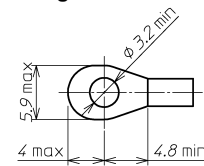
- Input display: Indicates the input value.
When a range with a decimal point is selected:
Indication of -2000 or less: The minus (-) sign and input value light alternately.
Indication of 10000 or more: The lower 4 digits flash.
- Under range: "—" flashes on the Input display.
- Over range: "—" flashes on the Input display.
- Warm-up indication:
For approx. 3 seconds after the power to the instrument is turned on, input type is indicated on the Input display, and Output 1 type is indicated on the Output display.
- Output display: Indicates the output volume in percentage (%) form.
- Power indicator: A green LED is lit when the power to the instrument is turned on.

■ Solderless Terminals

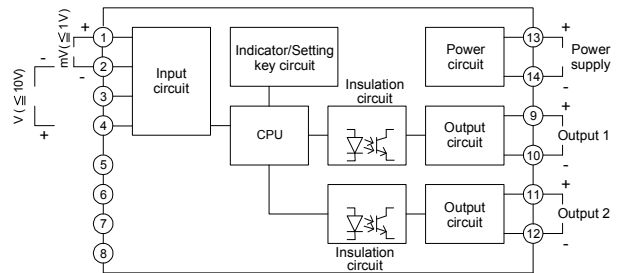
Y Terminal



Ring Terminal



■ Circuit Configuration, Terminal Arrangement



■ External Dimensions (Scale: mm)

